

TYGA Performance have a large selection of different silencers for many applications. It can be a little confusing as to which silencer will fit your application, especially if you have a custom build.

So, to make your choice a little easier, we have compiled this list below.

There are three main categories:

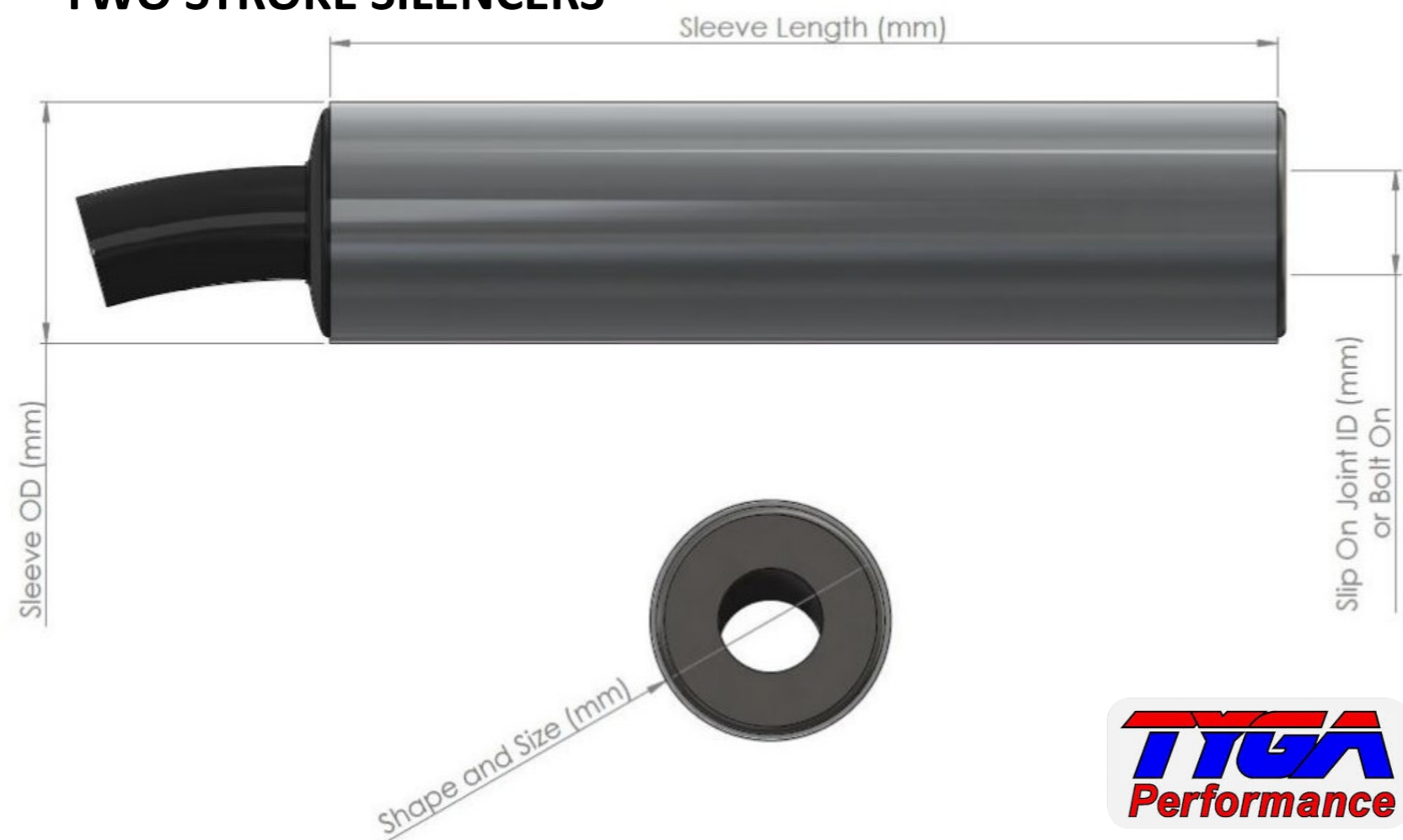
- **Two Stroke Silencers.**
- **Four Stroke Silencers.**
- **Moto Maggot Silencers.**

Just scroll through to find your desired silencer, and then read across to see the various important dimensions such as slip on ID, sleeve OD and length.

Hopefully this should give you a head start when looking for the perfect silencer for your application.



## TWO STROKE SILENCERS



Model	Name	Slip Joint ID (mm)	Mounting Type	Overall Length (mm)	Sleeve Length (mm)	Sleeve OD (mm)	Shape
	<b>Two Stroke Silencers</b>						
EXSL-0001	Silencer, Aluminium Classic, Two Stroke, Assy	Bolt-On	3 Hole - PCD: 44mm	N/A	295	61	Round
EXSL-0002	Silencer, Shorty, Aluminium Classic, Two Stroke, Assy	Bolt-On	3 Hole - PCD: 44mm	N/A	240	61	Round
EXSL-0003	Silencer, Carbon, Two Stroke, Assy.	Bolt-On	3 Hole - PCD: 44mm	N/A	295	61	Round
EXSL-0004	Silencer, Carbon/Kevlar, Two Stroke, Assy.	Bolt-On	3 Hole - PCD: 44mm	N/A	295	61	Round
EXSL-0050	Silencer, Race, Stainless Steel with Carbon End Cap, YZ250 2005-2022	Bolt-On	3 Hole - PCD: 44mm	N/A	350	85x65	Oval
EXSL-0051	Silencer, Race, Shorty, Stainless Steel with Carbon End Cap, YZ250 2005-2022	Bolt-On	3 Hole - PCD: 44mm	N/A	255	85x65	Oval
EXSL-0065	Silencer, Shorty, Carbon, Two Stroke, Assy.	Bolt-On	3 Hole - PCD: 44mm	N/A	240	61	Round
EXSL-0066	Silencer, Shorty, Carbon/Kevlar, Two Stroke, Assy.	Bolt-On	3 Hole - PCD: 44mm	N/A	240	61	Round
EXSL-0067	Silencer, Shorty, Aluminium Premium, Two Stroke, Assy.	Bolt-On	3 Hole - PCD: 44mm	N/A	240	61	Round
EXSL-0068(p)	Silencer, GP-T, Carbon, Two Stroke, Spring Mounted.	31,8	Slip-On	N/A	240	61	Round
EXSL-0069(p)	Silencer, GP-T, Carbon/Kevlar, Two Stroke, Spring Mounted.	31,8	Slip-On	N/A	240	61	Round
EXSL-0070(p)	Silencer GP-T, Aluminium, Two Stroke, Spring Mounted.	31,8	Slip-On	N/A	240	61	Round
EXSL-0083	Silencer, Carbon, Two Stroke, 70mm, Assy	Bolt-On	3 Hole - PCD: 44mm	N/A	300	70	Round
EXSL-0084	Silencer, Carbon/Kevlar, Two Stroke, 70mm, Assy	Bolt-On	3 Hole - PCD: 44mm	N/A	300	70	Round
EXSL-0485	Silencer, Carbon/Kevlar, Two Stroke, 32mm ID Assy.	Bolt-On	3 Hole - PCD: 48mm	N/A	350	70	Round
EXSL-9005	Silencer, Aluminium Premium, Two Stroke, Assy.	Bolt-On	3 Hole - PCD: 44mm	N/A	295	61	Round

## FOUR STROKE SILENCERS

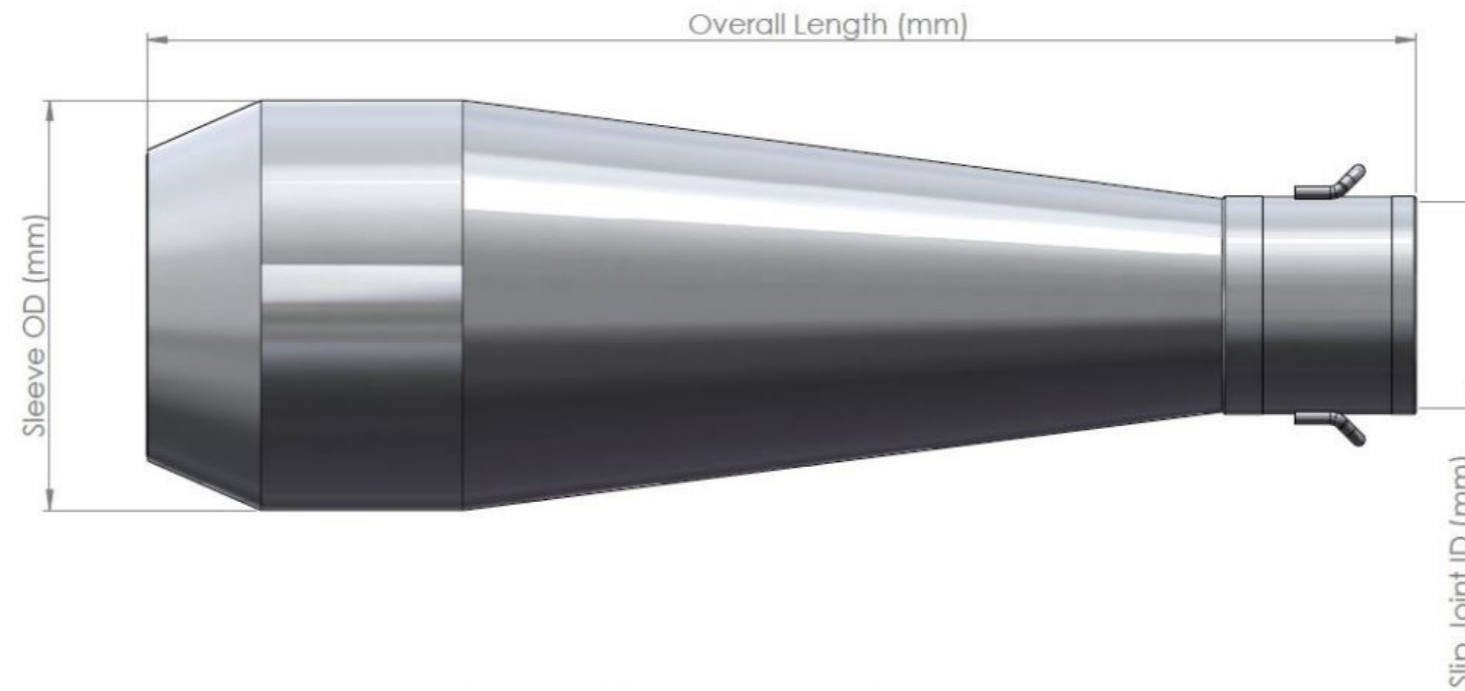


Model	Name	Slip Joint ID (mm)	Mounting Type	Overall Length (mm)	Sleeve Length (mm)	Sleeve OD (mm)	Shape
	<b>Four Stroke Silencers</b>						
EXSL-0012(p)	Silencer, Carbon, Round, Four Stroke, 2 inch, No Fittings	50,8	Slip-On	N/A	450	101	Round
EXSL-0014	Section, Mesh Slip-On, Stainless, Yamaha R25/R3	50,8	Slip-On	200	N/A	64	Round
EXSL-0016(p)	Silencer, Carbon, Round, Slip On, CBR250RR MC22, No Fittings	Bolt-On	3 Hole - Std Fitting	N/A	450	101	Round
EXSL-0017(p)	Silencer, Stainless, Oval, Stainless, 2 inch, No Fittings	50,8	Slip-On	N/A	380	115x90	Oval
EXSL-0019(p)	Silencer, Stainless, Round, Twin Stack, No Fittings	38,1	Slip-On	N/A	430	86	Round
EXSL-0022/23(p)	Silencer, Carbon, Round, Slip On, No Fittings	Bolt-On	3 Hole - Std Fitting	N/A	450	101	Round
EXSL-0026(p)	Silencer, Carbon, Round, Twin Stack, No Fittings	38,1	Slip-On	N/A	430	86	Round
EXSL-0032(p)	Silencer, Carbon, Round, 43 mm., No Fittings	43	Slip-On	N/A	400	101	Round
EXSL-0033(p)	Silencer, Aluminium, Round, 43 mm. x 380 mm., No Fittings	43	Slip-On	N/A	380	101	Round
EXSL-0034	Silencer, Carbon/Carbon End Cap, Oval, Slip-On, RVF400, Assy.	Bolt-On	3 Hole - Std Fitting	N/A	400	115x90	Oval
EXSL-0034(p)	Silencer, Carbon, Oval/Carbon End Cap, Slip On, RVF 400, No Fittings	Bolt-On	3 Hole - Std Fitting	N/A	400	115x90	Oval
EXSL-0035(p)	Silencer, Carbon, Oval/Carbon End Cap, Spring Mount, No Fittings	50,8	Slip-On	N/A	400	115x90	Oval
EXSL-0040(p)	Silencer, Aluminium, Round, 2 inch x 380 mm., No Fittings	50,8	Slip-On	N/A	380	101	Round
EXSL-0042(p)	Silencer, Carbon, Oval/Carbon End Cap, Spring Mount, MSX125 Grom, No Fittings	35	Slip-On	N/A	230	102x78	Oval
EXSL-0043(p)	Silencer, Carbon, Oval/Carbon End Cap, 50.8mm., CNC/Spring Mount, No Fittings	50,8	Slip-On	N/A	400	121x91	Oval
EXSL-0044(p)	Silencer, Carbon, Oval/Carbon End Cap, 44.5mm., CNC/Spring Mount, No Fittings	44,5	Slip-On	N/A	400	121x91	Oval
EXSL-0045(p)	Silencer, Stainless, Round, Four Stroke, 44.5mm., No Fittings	44,5	Slip-On	N/A	380	101	Round
EXSL-0047(p)	Silencer, Aluminium, Round, 2 Inch x 450 mm., No Fittings	50,8	Slip-On	N/A	450	101	Round

Model	Name	Slip Joint ID (mm)	Mounting Type	Overall Length (mm)	Sleeve Length (mm)	Sleeve OD (mm)	Shape
	<b>Four Stroke Silencers</b>						
EXSL-0048(p)	Silencer, Carbon, Oval/Carbon End Cap, 35mm., CNC/Spring Mount, No Fittings	35	Slip-On	N/A	370	115x90	Oval
EXSL-0049(p)	Silencer, Stainless, Oval/Carbon End Cap, 35mm., CNC/Spring Mount, No Fittings	35	Slip-On	N/A	370	115x90	Oval
EXSL-0052	Replacement Silencer, Slip-On, Stainless, Oval/Carbon End Cap, Yamaha R25/R3	38,1	Slip-On	N/A	150	102x78	Oval
EXSL-0056	Replacement Silencer, Slip On, Carbon, Oval/Carbon End Cap, Yamaha R25/R3	38,1	Slip-On	N/A	150	102x78	Oval
EXSL-0057L	Silencer, Left, Stainless, Oval/Carbon End Cap, Spring Mount, RC390 Serpent, No Fittings	35	Slip-On	N/A	230	102x78	Oval
EXSL-0057R	Silencer, Right, Stainless, Oval/Carbon End Cap, Spring Mount, RC390 Serpent, No Fittings	35	Slip-On	N/A	230	102x78	Oval
EXSL-0058(p)	Silencer, Stainless, Oval/Carbon End Cap, Underbelly Long, MSX125 Grom	35	Slip-On	N/A	330	102x78	Oval
EXSL-0059(p)	Silencer, Stainless, Oval/Carbon End Cap, Underbelly Short, MSX125 Grom	35	Slip-On	N/A	230	102x78	Oval
EXSL-0060(p)	Silencer, Stainless, Oval/Carbon End Cap, Spring Mount, Kawa Z125, No Fittings	35	Slip-On	N/A	230	102x78	Oval
EXSL-0064	Silencer, Stainless, Round, Four Stroke, 50.8mm.	50,8	Slip-On	N/A	380	101	Round
EXSL-0064(p)	Silencer, Stainless, Round, Four Stroke, 50.8mm., No Fittings	50,8	Slip-On	N/A	380	101	Round
EXSL-0072(p)	Silencer, Stainless, Oval, Carbon End Cap, Ninja 400, no fittings	43	Slip-On	N/A	300	101	Round
EXSL-0073(p)	Silencer, Carbon, Oval/Carbon End Cap, Spring Mount, Monkey 125, No Fittings	31,8	Slip-On	N/A	230	102x78	Oval
EXSL-0074(p)	Silencer, Stainless, Round, WSS300, (Street) KTM RC390, No fittings	60	Slip-On	N/A	300	101	Round
EXSL-0079(p)	Silencer, Stainless, Round, 2 Inch x 380 mm., No Fittings	50,8	Slip-On	N/A	380	101	Round
EXSL-0080(p)	Silencer, Carbon, Round, 2 Inch x 380mm, No Fittings	50,8	Slip-On	N/A	380	101	Round
EXSL-0081(p)	Silencer, Round, Carbon/Carbon End Cap, Round, 2 Inch x 380mm, No Fittings	50,8	Slip-On	N/A	380	101	Round
EXSL-0090	Section, Mesh Slip-On, Stainless, KTM 390 Duke	50,8	Slip-On	200	N/A	64	Round
EXSL-0093(p)	Silencer, Carbon, Oval/Carbon End Cap, Spring Mount Left, GROM, No Fittings	35	Slip-On	N/A	230	102x78	Oval
EXSL-0094(p)	Silencer, Stainless, Oval/Carbon End Cap, Spring Mount Left, GROM, No Fittings	35	Slip-On	N/A	230	102x78	Oval
EXSL-0112(p)	Silencer, Carbon, Round/Carbon End Cap, Round, Four Stroke, 2 inch, No Fittings	50,8	Slip-On	N/A	450	101	Round
EXSL-0114	Replacement Silencer, Stainless/Carbon End Cap	50,8	Slip-On	N/A	330	102x78	Oval
EXSL-0116(p)	Silencer, Carbon, Round/Carbon End cap Slip-On, MC22, CBR250RR, No Fittings	Bolt-On	3 Hole - Std Fitting	N/A	400	101	Round
EXSL-0122(p)	Silencer, Carbon, Round/Carbon End Cap Slip On, RVF400, No Fittings	Bolt-On	3 Hole - Std Fitting	N/A	400	101	Round
EXSL-0123(p)	Silencer, Carbon, Round/Carbon End cap Slip On, ZXR250, No Fittings	Bolt-On	3 Hole - Std Fitting	N/A	400	101	Round
EXSL-0132(p)	Silencer, Carbon, Round, Carbon End Cap, 43 mm. x 380mm, No Fittings	43	Slip-On	N/A	380	101	Round
EXSL-0133(p)	Silencer, Aluminium/Carbon End Cap, Round, 43 mm. x 380 mm., No Fittings	43	Slip-On	N/A	380	101	Round
EXSL-0140(p)	Silencer, Aluminium/Carbon End Cap, Round, 2 Inch x 380 mm., No Fittings	50,8	Slip-On	N/A	380	101	Round
EXSL-0146(p)	Silencer, Stainless/Carbon End Cap, Round, 2 Inch x 380 mm., No Fittings	50,8	Slip-On	N/A	380	101	Round
EXSL-0174(p)	Silencer, Stainless, Round, WSS300, (Race) KTM RC390, No fittings	60	Slip-On	N/A	300	101	Round
EXSL-1116(p)	Silencer, Stainless, Round/Carbon End cap Slip-On, MC22, CBR250RR, No Fittings	Bolt-On	3 Hole - Std Fitting	N/A	380	101	Round
EXSL-1142(p)	Silencer, Stainless, Oval/Carbon End Cap, Spring Mount, MSX125 Grom, No Fittings	35	Slip-On	N/A	230	102x78	Oval
EXSL-1173(p)	Silencer, Stainless, Oval/Carbon End Cap, Spring Mount, Monkey 125 No Fittings	31,8	Slip-On	N/A	230	102x78	Oval
EXSL-0117(p)	Silencer, Stainless, Round, Four Stroke, 50.8mm. bore, Sleeve, 4 inch X 430mm, No fittings	50,8	Slip-On	515	430	101	Round
EXSL-0118(p)	Silencer, Aluminium, Round, Four Stroke, 50.8mm. bore, Sleeve, 4 inch X 430mm, No fittings	50,8	Slip-On	515	430	101	Round
EXSL-0119(p)	Silencer, Carbon/Kevlar, Round, Four Stroke, 50.8mm. bore, Sleeve, 4 inch X 430mm, No fittings	50,8	Slip-On	515	430	101	Round
EXSL-0120(p)	Silencer, Carbon, Round, Four Stroke, 50.8mm. bore, Sleeve, 4 inch X 430mm, No fittings	50,8	Slip-On	515	430	101	Round

[www.tyga-performance.com](http://www.tyga-performance.com)

# MOTO MAGGOT SILENCERS



Shape: All Maggots are round



Model	Name	Slip Joint ID (mm)	Mounting Type	Overall Length (mm)	Sleeve Length (mm)	Sleeve OD (mm)	Shape
	<b>Moto Maggot Silencers (Four Stroke)</b>						
EXSL-0013(p)	Silencer, Stainless Moto Maggot, 50.8 mm., No fittings	50,8	Slip-On	315	N/A	101	Round
EXSL-0053(p)	Silencer, Stainless Moto Maggot, 64 mm., Mega Monster, No fittings	64	Slip-On	350	N/A	120	Round
EXSL-0071(p)	Silencer, Stainless Moto Maggot, 43 mm, Ninja 400, No Fittings	43	Slip-On	350	N/A	101	Round
EXSL-0082(p)	Silencer, Stainless Moto Maggot, 50.8 mm, VFR750F 4th Gen, 94-97 (No Springs)	50,8	Slip-On	315	N/A	101	Round
EXSL-1013(p)	Silencer, Stainless Moto Maggot, 50.8 mm., CBR500, No fittings	50,8	Slip-On	315	N/A	101	Round
EXSL-2013(p)	Silencer, Stainless Motor Maggot, 50.8 mm., ER6, No fittings	50,8	Slip-On	315	N/A	101	Round
EXSL-3013(p)	Silencer, Stainless Moto Maggot, 50.8 mm, No fittings	50,8	Slip-On	315	N/A	101	Round
EXSL-4013(p)	Silencer, Stainless Moto Maggot, 43 mm., Ninja 250R, No fittings	43	Slip-On	350	N/A	101	Round
EXSL-5013(p)	Silencer, Stainless Moto Maggot, 43 mm., Midi, No fittings	43	Slip-On	350	N/A	101	Round
EXSL-6013(p)	Silencer, Stainless Moto Maggot, 54 mm., Monster, No fittings	54	Slip-On	350	N/A	120	Round
EXSL-7013(p)	Silencer, Stainless Moto Maggot, 35 mm., Mini, No fittings	35	Slip-On	350	N/A	101	Round
EXSL-8013(p)	Silencer, Stainless Moto Maggot, 35 mm., MSX125 Grom, No fittings	35	Slip-On	350	N/A	101	Round
EXSL-8113L(p)	Silencer, Stainless Moto Maggot, Left, KTM RC390 Serpent, No fittings	35	Slip-On	350	N/A	101	Round
EXSL-8113R(p)	Silencer, Stainless Moto Maggot, Right, KTM RC390 Serpent, No fittings	35	Slip-On	350	N/A	101	Round
EXSL-8213(p)	Silencer, Stainless, Moto Maggot, Monkey 125 ((2018-2022)) no fittings	35	Slip-On	350	N/A	101	Round
EXSL-8313L(p)	Silencer, Stainless Moto Maggot, 35 mm., Left, Grom, No fittings	35	Slip-On	350	N/A	101	Round
EXSL-8313R(p)	Silencer, Stainless Moto Maggot, 35 mm., Right, Grom, No fittings	35	Slip-On	350	N/A	101	Round
EXSL-9013(p)	Silencer, Stainless Moto Maggot, 43 mm., Ninja 250/300R, No fittings	43	Slip-On	350	N/A	101	Round
EXSL-9113(p)	Silencer, Stainless Moto Maggot, 44.5 mm., Ninja 300R, No fittings	44,5	Slip-On	350	N/A	101	Round
EXSL-9213(p)	Silencer, Stainless Moto Maggot, 50.8 mm., Ninja 300R, No fittings	50,8	Slip-On	315	N/A	101	Round