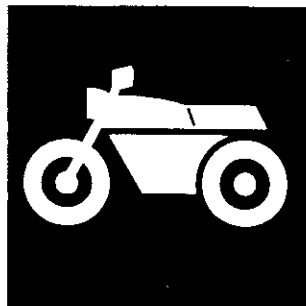


YAMAHA



PARTS CATALOGUE

TZ250(4TW2)

'96.10発行

YAMAHA
GENUINE
Parts & Accessories

174TW-010E1

4TW-28198-17-E1



CONTENTS

ENGINE

Cylinder Head.....	B2~B3
Crankshaft, Piston.....	B4
Counter Shaft.....	B5
Water Pump.....	B6
Radiator, Hose.....	B7
Oil Pump.....	B8
Intake.....	B9
Carburetor.....	B10~B12
Exhaust.....	B13
Crankcase.....	B14
Clutch.....	B15~C2
Transmission.....	C3~C4
Shift Cam, Fork.....	C5
Shift Shaft.....	C6

CHASSIS

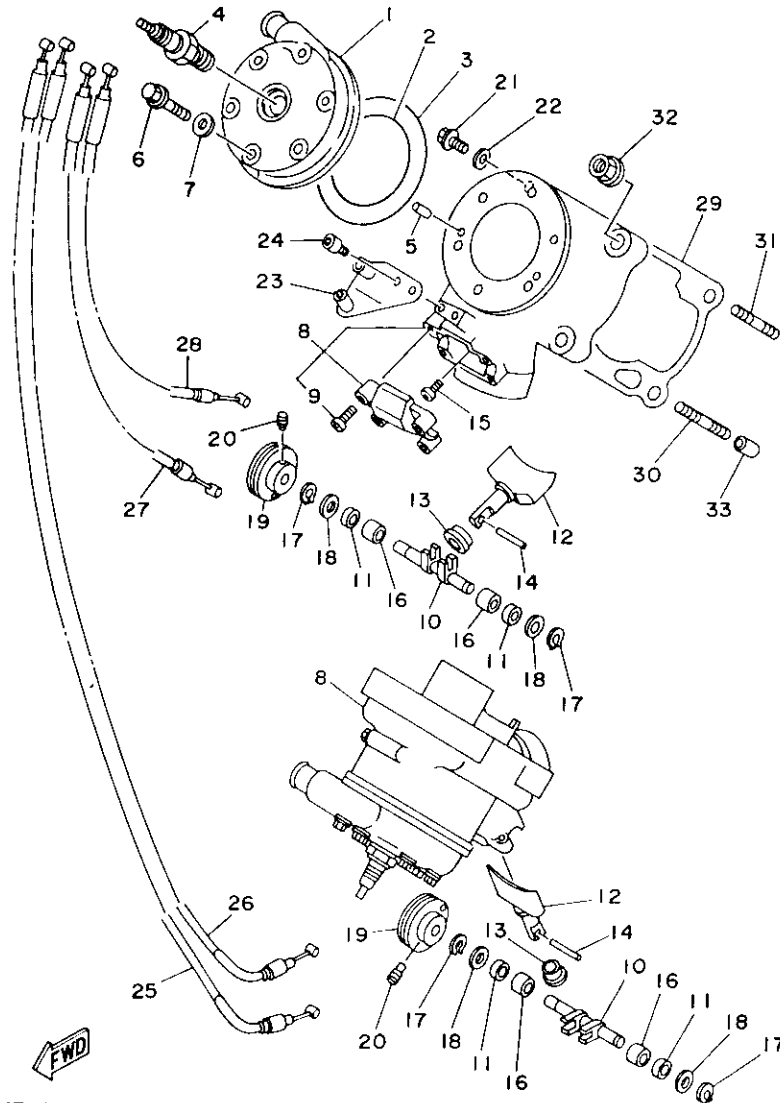
Frame.....	C7~C8
Rear Arm.....	C9
Rear Suspension.....	C10
Steering.....	C11
Front Fork.....	C12~C13
Fuel Tank.....	C14~C15
Seat.....	D2
Front Wheel.....	D3
Front Brake Caliper.....	D4
Rear Wheel.....	D5~D6
Rear Brake Caliper.....	D7
Steering Handle, Cable.....	D8
Front Master Cylinder.....	D9~D10

Stand, Footrest.....	D11~D12
Cowling 1.....	D13~D14
Generator.....	D15
Meter.....	E2
Handle Switch, Lever.....	E3
Electrical 1.....	E4

INDEX

Numerical Index.....	M1~M3
----------------------	-------

FIG. 1 CYLINDER HEAD

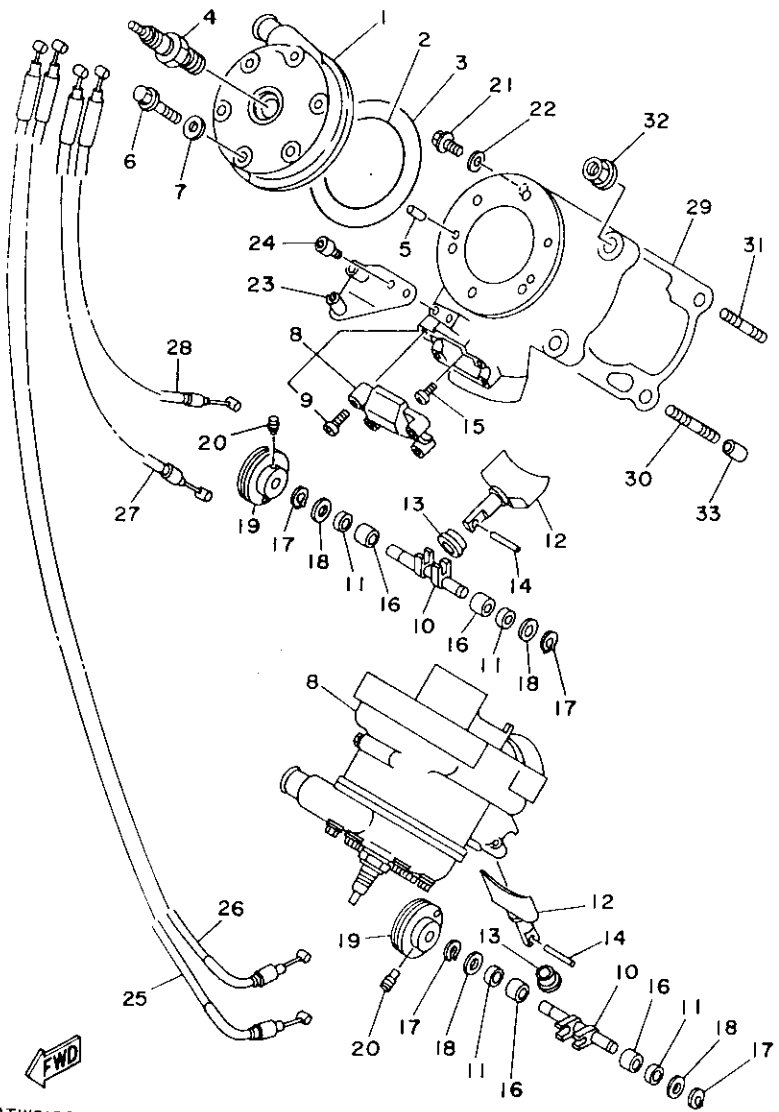


4TW2100-7010

REF. NO.	PART NO.	DESCRIPTION	USA	CAN	EUR	OC	JPN	REMARKS
1	4TW-11111-00	HEAD, CYLINDER 1	2	2	2	2	2	
2	93210-63442	O-RING	2	2	2	2	2	
3	93210-88696	O-RING	2	2	2	2	2	
4	94702-00374	PLUG, SPARK (R6179A-105P)	2	2	2	2	2	NGK
	94709-00374	PLUG, SPARK (R6179A-105P)					2	NGK
5	93604-08071	PIN, DOWEL	4	4	4	4	4	
6	90105-063A0	BOLT, WASHER BASED	12	12	12	12	12	
7	90430-06166	GASKET	12	12	12	12	12	
8	4DP-11310-11	CYLINDER	2	2	2	2	2	
9	98907-05020	SCREW, BIND	4	4	4	4	4	
10	3LC-1131V-00	SHAFT 1	2	2	2	2	2	
11	93104-08040	OIL SEAL	4	4	4	4	4	
12	3YL-1131A-01	VALVE 1	2	2	2	2	2	
13	1RK-1131E-00	HOLDER 1	2	2	2	2	2	
14	93604-26256	PIN, DOWEL	2	2	2	2	2	
15	98907-05010	SCREW, BIND	2	2	2	2	2	
16	90380-08192	BUSH, SOLID	4	4	4	4	4	
17	93440-08130	CIRCLIP	4	4	4	4	4	
18	90201-08403	WASHER, PLATE	4	4	4	4	4	
19	4DP-1132E-00	PULLEY 1	2	2	2	2	2	
20	90149-05149	SCREW	2	2	2	2	2	
21	95827-06010	BOLT, FLANGE	2	2	2	2	2	
22	90430-06166	GASKET	2	2	2	2	2	
23	3YL-11932-00	SETTER, WIRE	2	2	2	2	2	
24	91317-05010	BOLT	4	4	4	4	4	
25	3YL-1133E-00	CABLE, PULLEY 1	1	1	1	1	1	CLOSE
26	3YL-1133F-00	CABLE, PULLEY 2	1	1	1	1	1	OPEN

B2

FIG. 1 CYLINDER HEAD

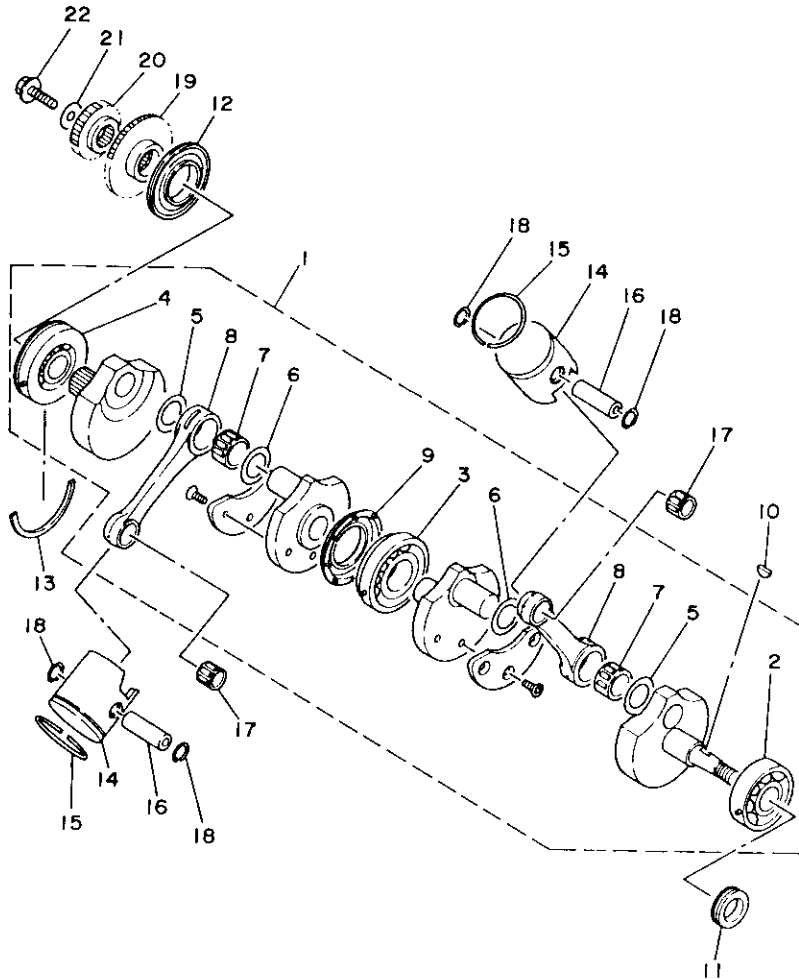


REF. NO.	PART NO.	DESCRIPTION	USA	CAN	EUR	OCE	JPN	REMARKS
27	3YL-1133G-00	CABLE, PULLEY 3	1	1	1	1	1	CLOSE
28	3YL-1133H-00	CABLE, PULLEY 4	1	1	1	1	1	OPEN
29	4JT-11351-02	GASKET, CYLINDER (0.8T)	2	2	2	2	2	STD
	4JT-11351-12	GASKET, CYLINDER (0.7T)	2	2	2	2	2	AP
	4JT-11351-22	GASKET, CYLINDER (0.6T)	2	2	2	2	2	AP
	4DP-11351-31	GASKET, CYLINDER (0.5T)	2	2	2	2	2	AP
30	90116-08409	BOLT, STUD	4	4	4	4	4	
31	90116-08564	BOLT, STUD	4	4	4	4	4	
32	95707-08500	NUT, FLANGE	8	8	8	8	8	
33	99510-10114	PIN, DOWEL	4	4	4	4	4	

4TW2100-7010

B3

FIG. 2 CRANKSHAFT. PISTON

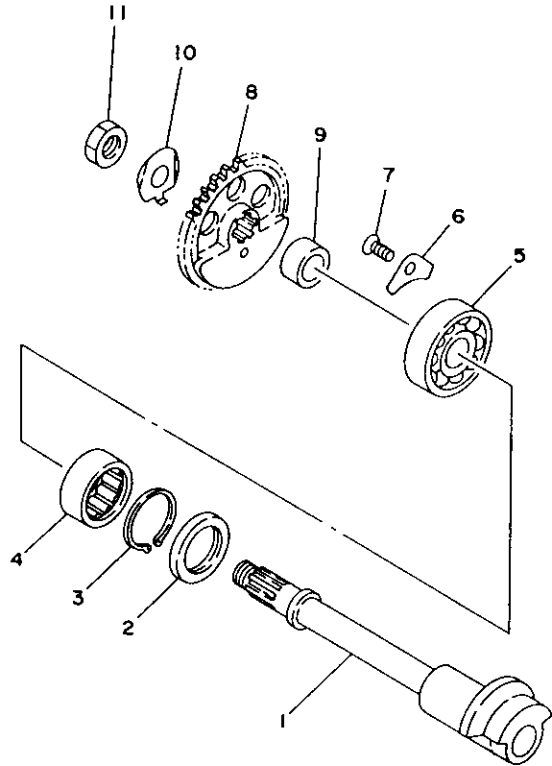


REF. NO.	PART NO.	DESCRIPTION	USA	CAN	EUR	OCE	JPN	REMARKS
1	4DP-11400-01	CRANKSHAFT ASSY	1	1	1	1	1	
2	93306-30564	BEARING	1	1	1	1	1	
3	93306-30632	BEARING	1	1	1	1	1	
4	93306-30563	BEARING	1	1	1	1	1	
5	90209-24327	WASHER	2	2	2	2	2	
6	90209-24315	WASHER	2	2	2	2	2	
7	93310-524D0	BEARING	2	2	2	2	2	
8	3XV-11651-01	ROD, CONNECTING	2	2	2	2	2	
9	93101-44160	OIL SEAL	1	1	1	1	1	
10	90280-04001	KEY, WOODRUFF	1	1	1	1	1	
11	93102-25438	OIL SEAL	1	1	1	1	1	
12	93103-35173	OIL SEAL	1	1	1	1	1	
13	93440-72049	CIRCLIP	1	1	1	1	1	
14	4DP-11631-02-A0	PISTON (STD)	2	2	2	2	2	
	4DP-11631-02-B0	PISTON (STD)	2	2	2	2	2	
	4DP-11631-02-C0	PISTON (STD)	2	2	2	2	2	
	4DP-11631-02-D0	PISTON (STD)	2	2	2	2	2	
15	1RK-11611-01	RING, PISTON	2	2	2	2	2	
16	137-11633-10	PIN, PISTON	2	2	2	2	2	
17	93310-316D5	BEARING	2	2	2	2	2	
18	93450-17129	CIRCLIP	4	4	4	4	4	
19	3YL-11536-01	GEAR, DRIVE	1	1	1	1	1	
20	3YL-16111-00	GEAR, PRIMARY DRIVE	1	1	1	1	1	
21	90201-10144	WASHER, PLATE	1	1	1	1	1	
22	90105-10445	BOLT, WASHER BASED	1	1	1	1	1	

FWD
3YL1100-1020

B4

FIG. 3 COUNTER SHAFT



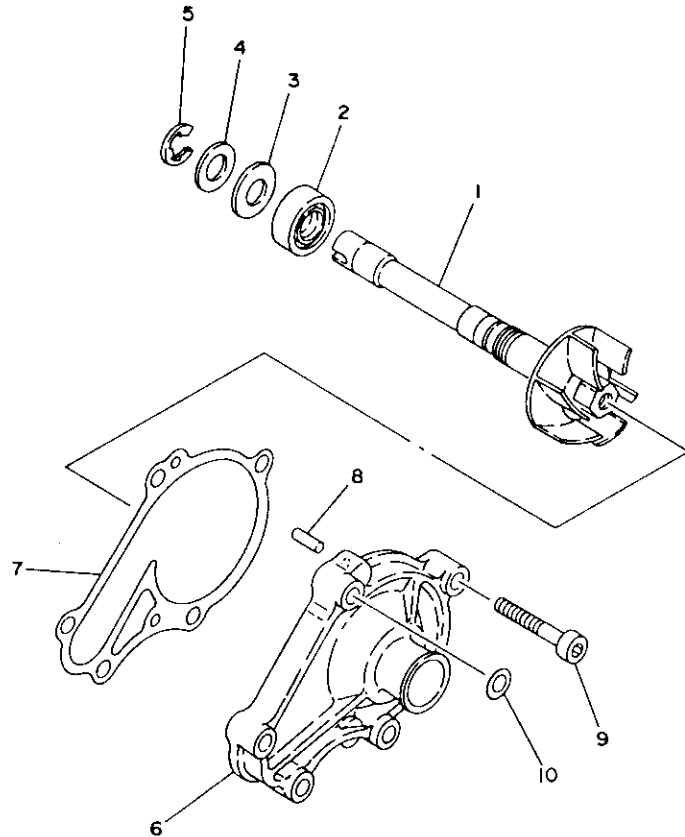
REF. NO.	PART NO.	DESCRIPTION	USA	CAN	EUR	OCE	JPN	REMARKS
1	3YL-11455-01	SHAFT 1	1	1	1	1	1	
2	93102-25404	OIL SEAL	1	1	1	1	1	
3	99009-37500	CIRCLIP	1	1	1	1	1	
4	93311-62574	BEARING	1	1	1	1	1	
5	93306-30316	BEARING	1	1	1	1	1	
6	2K7-15383-00	PLATE, BEARING COVER	1	1	1	1	1	
7	90151-06041	SCREW, COUNTERSUNK	1	1	1	1	1	
8	3YL-11531-00	GEAR, BALANCE WT	1	1	1	1	1	
9	90387-172K2	COLLAR	1	1	1	1	1	
10	90215-14204	WASHER, LOCK	1	1	1	1	1	
11	90170-14171	NUT	1	1	1	1	1	



3YL1100-1030

B5

FIG. 4 WATER PUMP



REF. NO.	PART NO.	DESCRIPTION	USA	CAN	EUR	OCE	JPN	REMARKS
1	3XV-12450-00	IMPELLER SHAFT ASSY	1	1	1	1	1	
2	93103-12119	OIL SEAL	1	1	1	1	1	
3	90201-114P2	WASHER, PLATE (1.0)	1	1	1	1	1	
4	90201-114P4	WASHER, PLATE (2.0)	1	1	1	1	1	
5	99009-11400	CIRCLIP	1	1	1	1	1	
6	3XV-12422-00	COVER, HOUSING	1	1	1	1	1	
7	3XV-12428-01	GASKET, HOUSING COVER 2	1	1	1	1	1	
8	93604-10011	PIN, DOWEL	2	2	2	2	2	
9	91317-06025	BOLT	5	5	5	5	5	
10	90430-06166	GASKET	1	1	1	1	1	

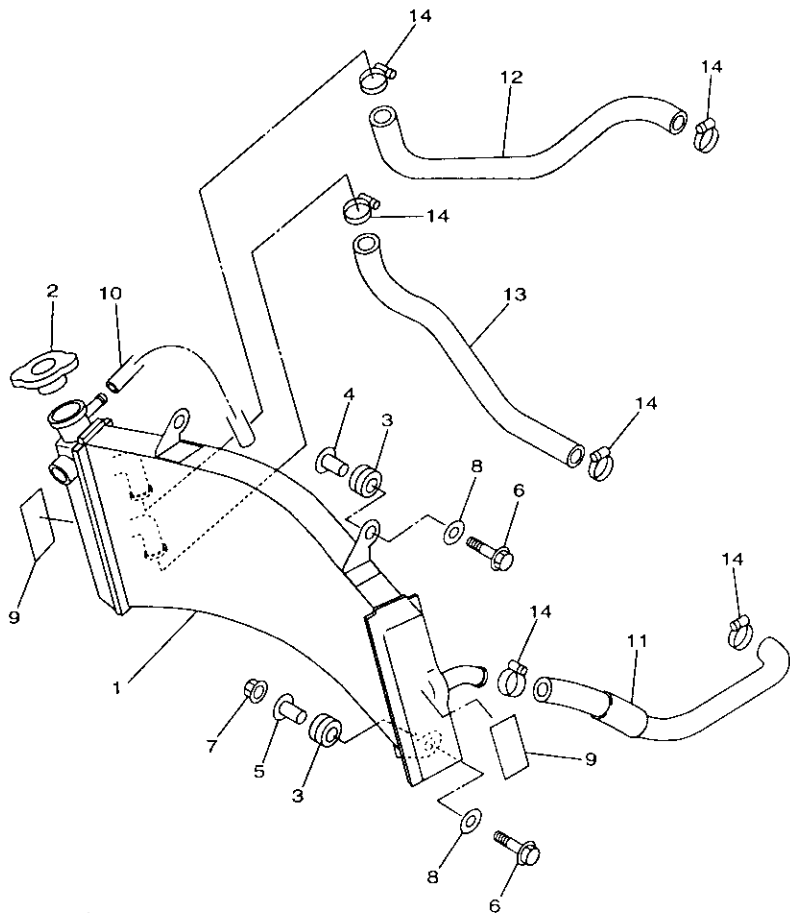


4DPI100-2040

B6

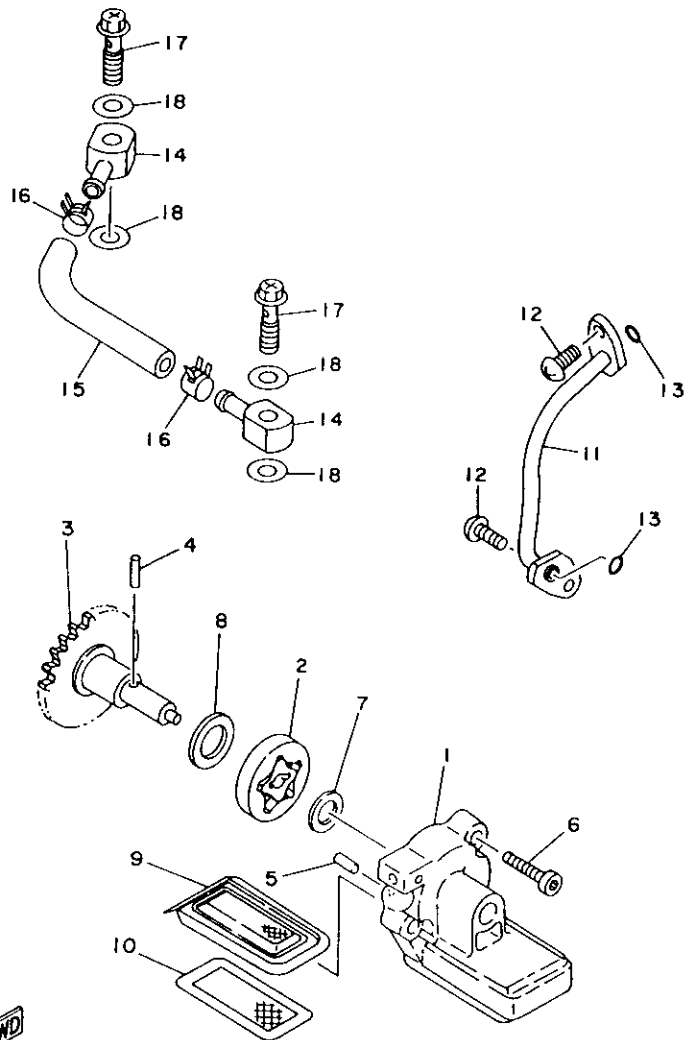
FIG. 5 RADIATOR. HOSE

REF. NO.	PART NO.	DESCRIPTION	USA	CAN	EUR	OCE	JPN	REMARKS
1	4TW-12461-00	RADIATOR ASSY	1	1	1	1	1	
2	22W-12462-00	CAP, RADIATOR	1	1	1	1	1	
3	90480-15363	GROMMET	3	3	3	3	3	
4	90387-066N1	COLLAR	2	2	2	2	2	
5	90387-063E6	COLLAR	1	1	1	1	1	
6	95027-06030	BOLT, FLANGE	3	3	3	3	3	
7	95607-06200	NUT, SELF U-FLANGE	1	1	1	1	1	
8	90201-06571	WASHER, PLATE	3	3	3	3	3	
9	3YL-12232-00	DAMPER	2	2	2	2	2	
10	90445-09251	HOSE	1	1	1	1	1	
11	4TW-12482-00	PIPE 2	1	1	1	1	1	
12	4TW-12483-00	PIPE 3	1	1	1	1	1	
13	4TW-12484-00	PIPE 4	1	1	1	1	1	
14	90460-20190	CLAMP, HOSE	6	6	6	6	6	



4TW1100-6050

B7



4DP1100-2060

FIG. 6 OIL PUMP

REF. NO.	PART NO.	DESCRIPTION	USA	CAN	EUR	OCE	JPN	REMARKS
1	3XV-13316-00	COVER, PUMP	1	1	1	1	1	
2	5H0-13310-00	ROTOR ASSY 1	1	1	1	1	1	
3	4DP-Y1332-00	GEAR, PUMP	1	1	1	1	1	
4	93603-12030	PIN, DOWEL	1	1	1	1	1	
5	93604-10011	PIN, DOWEL	2	2	2	2	2	
6	91317-05020	BOLT	3	3	3	3	3	
7	90201-08512	WASHER, PLATE	1	1	1	1	1	
8	90201-127E1	WASHER, PLATE	1	1	1	1	1	
9	3XV-13411-00	STRAINER, OIL	1	1	1	1	1	
10	3XV-13421-00	STRAINER 2	1	1	1	1	1	
11	3XV-13161-00	PIPE, DELIVERY 1	1	1	1	1	1	
12	90157-05106	SCREW, PAN HEAD	2	2	2	2	2	
13	93210-07540	O-RING	2	2	2	2	2	
14	90405-06044	UNION	2	2	2	2	2	
15	90445-10679	HOSE	1	1	1	1	1	
16	90467-09037	CLIP	2	2	2	2	2	
17	90401-06115	BOLT, UNION	2	2	2	2	2	
18	90430-06166	GASKET	4	4	4	4	4	

B8

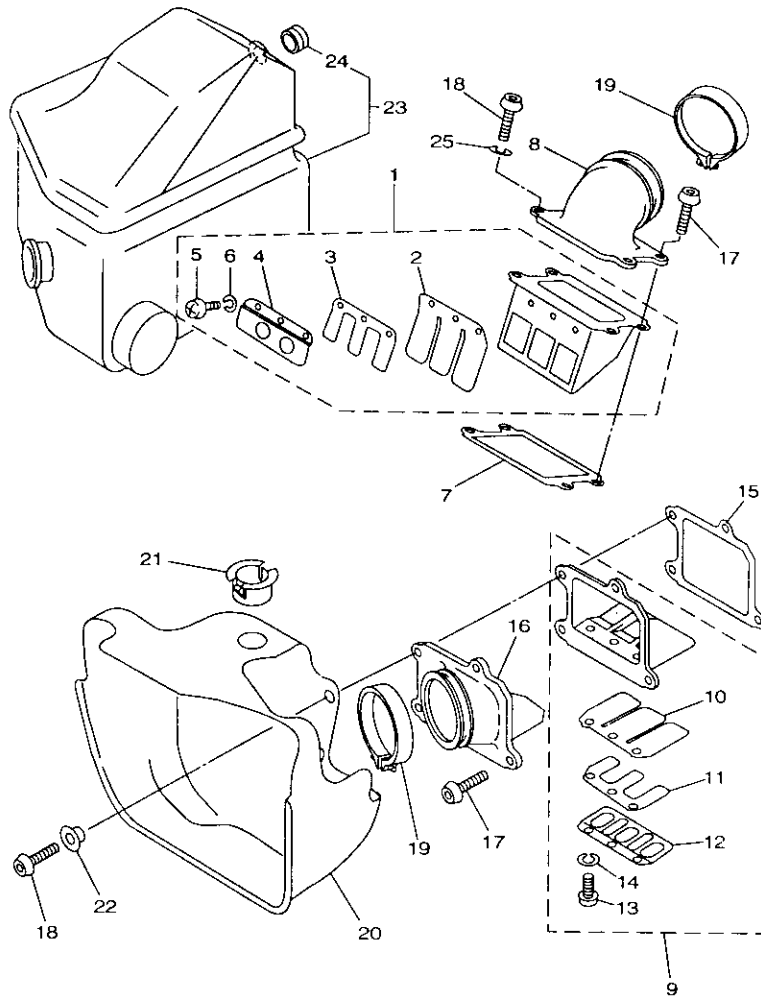


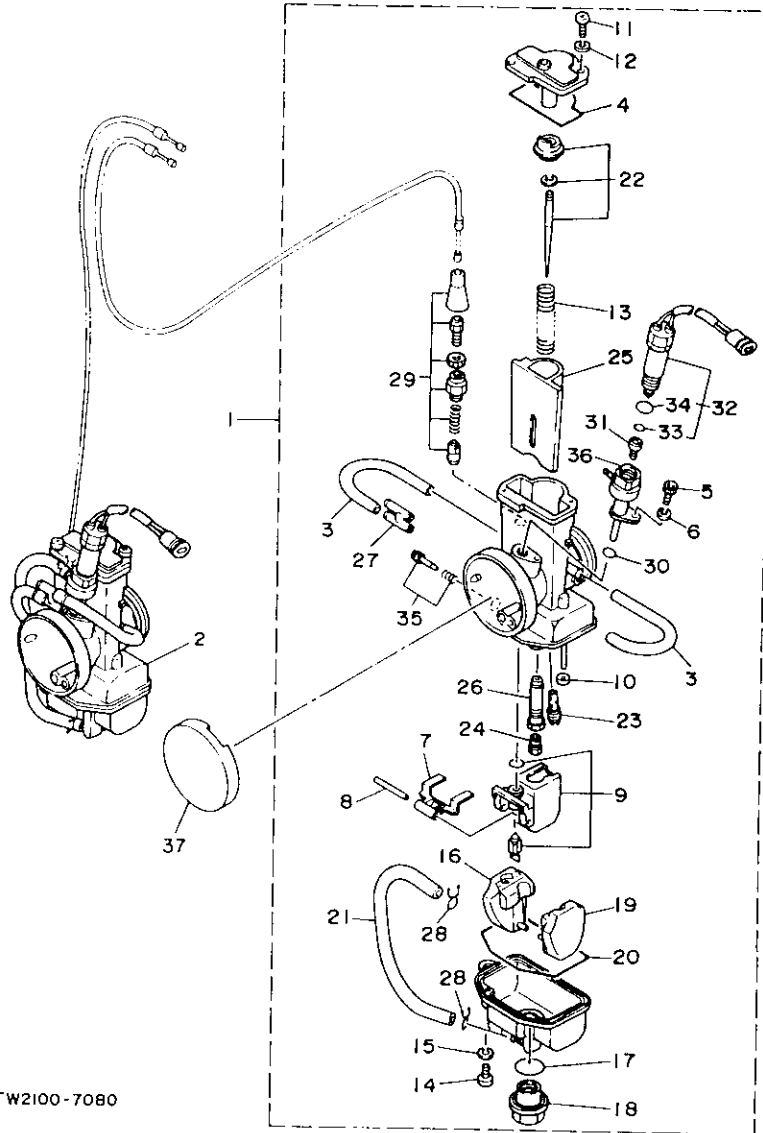
FIG. 7 INTAKE

REF. NO.	PART NO.	DESCRIPTION	USA	CAN	EUR	OCE	JPN	REMARKS
1	3YL-13610-00	REED VALVE ASSY	1	1	1	1	1	
2	3XV-13613-01	. REED, VALVE	2	2	2	2	2	
3	2KM-13614-00	. REED, VALVE 2	2	2	2	2	2	
4	3YL-13616-00	. STOPPER, REED VALVE	2	2	2	2	2	
5	98507-03006	. SCREW, PAN HEAD	6	6	6	6	6	
6	92907-03100	. WASHER	6	6	6	6	6	
7	3XV-13621-00	GASKET, VALVE SEAT	1	1	1	1	1	
8	3YL-13555-01	MANIFOLD, INTAKE	1	1	1	1	1	
9	3YL-13620-00	REED VALVE ASSY	1	1	1	1	1	
10	3XV-13613-01	. REED, VALVE	2	2	2	2	2	
11	2KM-13614-00	. REED, VALVE 2	2	2	2	2	2	
12	3YL-13617-00	. STOPPER, REED VALVE 2	2	2	2	2	2	
13	98507-03006	. SCREW, PAN HEAD	6	6	6	6	6	
14	92907-03100	. WASHER	6	6	6	6	6	
15	3XV-13622-00	GASKET, VALVE SEAT	1	1	1	1	1	
16	3YL-13565-01	JOINT, CARBURETOR	1	1	1	1	1	
17	91317-06020	BOLT	4	4	4	4	4	
18	91317-06025	BOLT	4	4	4	4	4	
19	90460-52210	CLAMP, HOSE	2	2	2	2	2	
20	4TW-2163A-00	COVER, REAR FENDER 1	1	1	1	1	1	
21	4DP-21824-00	PROTECTOR, HOSE	1	1	1	1	1	
22	90387-0603J	COLLAR	2	2	2	2	2	
23	4TW-2160A-01	BOX COMP.	1	1	1	1	1	
24	90480-15363	. GROMMET	1	1	1	1	1	
25	90387-0603J	COLLAR	2	2	2	2	2	

4TW1100-6070

B9

FIG. 8 CARBURETOR

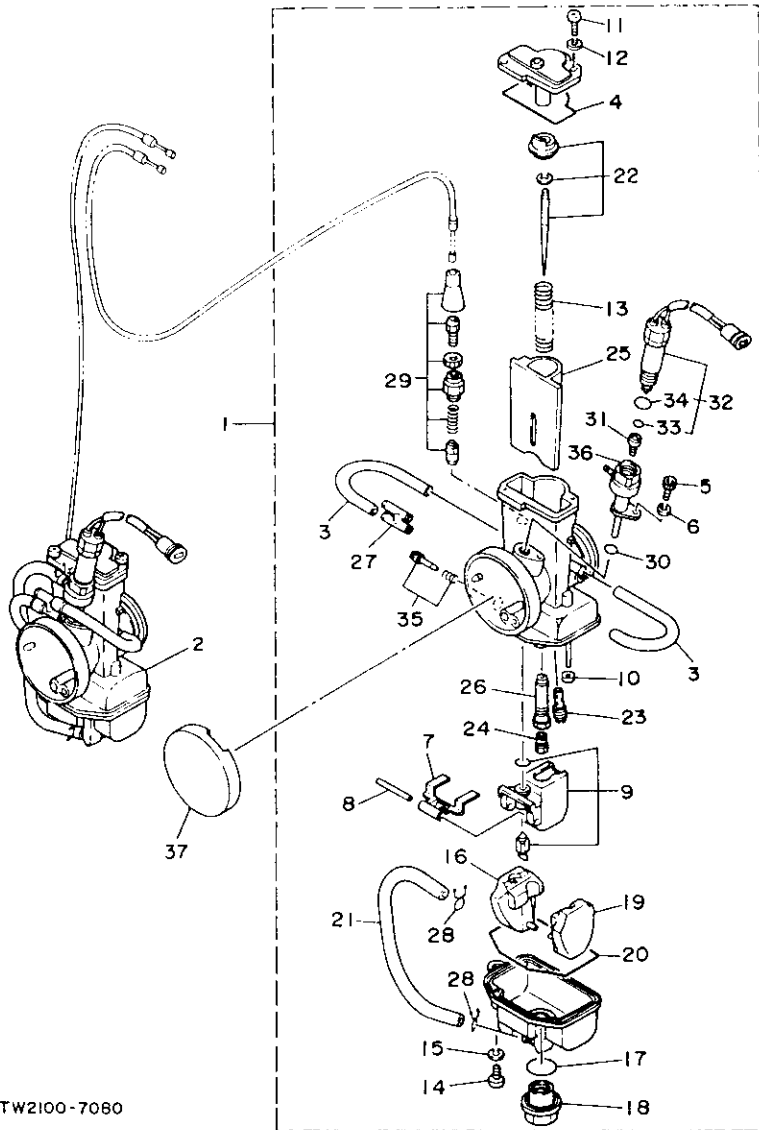


REF. NO.	PART NO.	DESCRIPTION	USA	CAN	EUR	OCE	JPN	REMARKS
1	4DP-14101-31	CARBURETOR ASSY 1	1	1	1	1	1	
2	4DP-14102-31	CARBURETOR ASSY 2	1	1	1	1	1	
3	310-14196-00	PIPE	2	2	2	2	2	
4	3JD-14147-00	O-RING	1	1	1	1	1	
5	91317-04010	BOLT	1	1	1	1	1	
6	92907-04100	WASHER, SPRING	1	1	1	1	1	
7	363-14187-00	ARM, FLOAT	1	1	1	1	1	
8	353-14186-00	PIN, FLOAT	1	1	1	1	1	
9	3JD-14107-35	NEEDLE VALVE SET	1	1	1	1	1	
10	214-14118-00	CAP	2	2	2	2	2	
11	98507-04012	SCREW, PAN HEAD	2	2	2	2	2	
12	92907-04100	WASHER, SPRING	2	2	2	2	2	
13	3JD-14131-00	SPRING, THROTTLE VALVE	1	1	1	1	1	
14	98507-03010	SCREW, PAN HEAD	1	1	1	1	1	
15	92907-03100	WASHER	1	1	1	1	1	
16	3JD-14185-00	FLOAT	1	1	1	1	1	
17	3JE-14561-00	O-RING	1	1	1	1	1	
18	4DP-14115-00	PLUG, SCREW	1	1	1	1	1	
19	3JE-14185-00	FLOAT	1	1	1	1	1	
20	3JE-14147-00	O-RING	1	1	1	1	1	
21	3V3-14987-00	HOSE	1	1	1	1	1	
22	4DP-1490J-10	NEEDLE SET	1	1	1	1	1	
23	193-14142-20	JET, PILOT (#20)	1	1	1	1	1	STD
	193-14142-17	JET, PILOT (#17.5)	1	1	1	1	1	UR
24	137-1414K-32	JET, MAIN (#660)	1	1	1	1	1	STD
	137-1414K-28	JET, MAIN (#640)	1	1	1	1	1	UR
	137-1414K-24	JET, MAIN (#620)	1	1	1	1	1	UR

4TW2100-7080

B10

FIG. 8 CARBURETOR

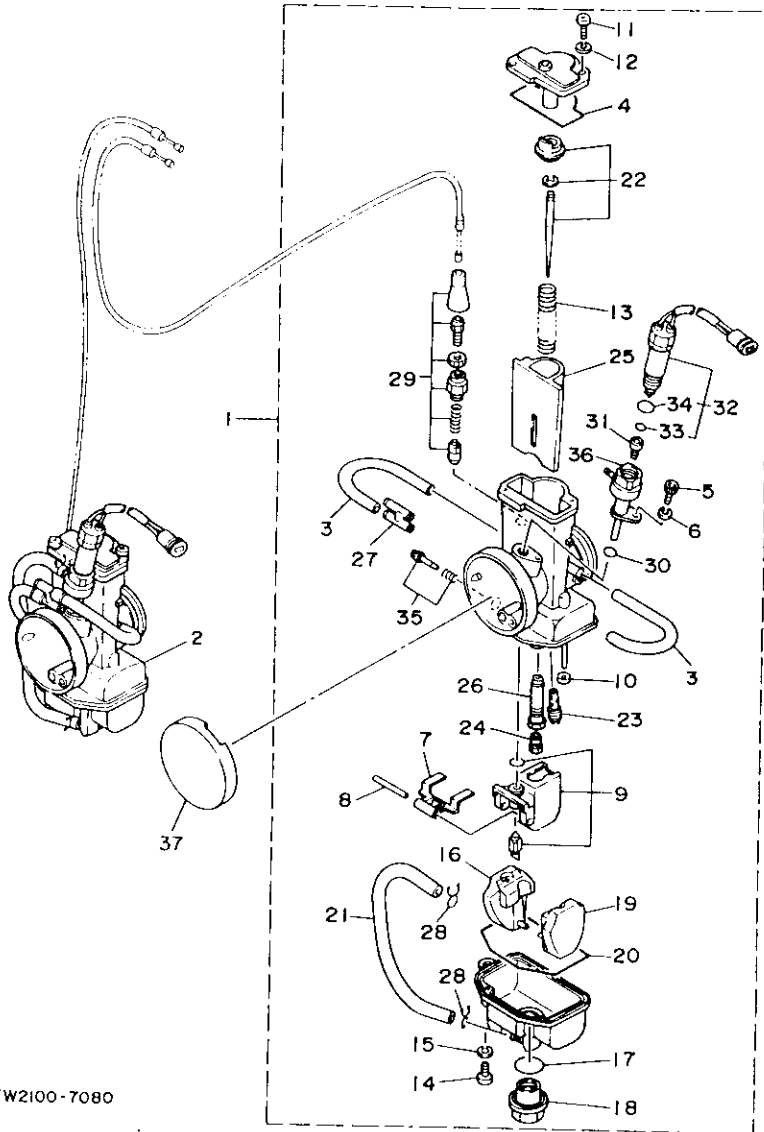


REF. NO.	PART NO.	DESCRIPTION	USA	CAN	EUR	OCE	JPN	REMARKS
24	137-1414K-20	JET, MAIN (#600)	1	1	1	1	1	UR
	137-1414K-16	JET, MAIN (#580)	1	1	1	1	1	UR
	137-1414K-12	JET, MAIN (#560)	1	1	1	1	1	UR
	137-1414K-08	JET, MAIN (#540)	1	1	1	1	1	UR
	137-1414K-04	JET, MAIN (#520)	1	1	1	1	1	UR
	137-1414K-00	JET, MAIN (#500)	1	1	1	1	1	UR
	137-14143-98	JET, MAIN (#490)	1	1	1	1	1	UR
	137-14143-96	JET, MAIN (#480)	1	1	1	1	1	UR
	137-14143-94	JET, MAIN (#470)	1	1	1	1	1	UR
	137-14143-92	JET, MAIN (#460)	1	1	1	1	1	UR
	137-14143-90	JET, MAIN (#450)	1	1	1	1	1	UR
	137-14143-88	JET, MAIN (#440)	1	1	1	1	1	UR
	137-14143-86	JET, MAIN (#430)	1	1	1	1	1	UR
	137-14143-84	JET, MAIN (#420)	1	1	1	1	1	UR
	137-14143-82	JET, MAIN (#410)	1	1	1	1	1	UR
	137-14143-80	JET, MAIN (#400)	1	1	1	1	1	UR
	137-14143-78	JET, MAIN (#390)	1	1	1	1	1	UR
	137-14143-76	JET, MAIN (#380)	1	1	1	1	1	UR
	137-14143-74	JET, MAIN (#370)	1	1	1	1	1	UR
	137-14143-72	JET, MAIN (#360)	1	1	1	1	1	UR
25	4DP-14112-35	VALVE, THROTTLE 1	1	1	1	1	1	
26	3TC-14141-S0	NOZZLE, MAIN (S-0)	1	1	1	1	1	STD
	3TC-14141-R5	NOZZLE, MAIN (R-5)	1	1	1	1	1	UR
	3TC-14141-R6	NOZZLE, MAIN (R-6)	1	1	1	1	1	UR
	3TC-14141-R7	NOZZLE, MAIN (R-7)	1	1	1	1	1	UR
	3TC-14141-R8	NOZZLE, MAIN (R-8)	1	1	1	1	1	
27	8J0-14251-00	NIPPLE	1	1	1	1	1	

4TW2100-7080

B11

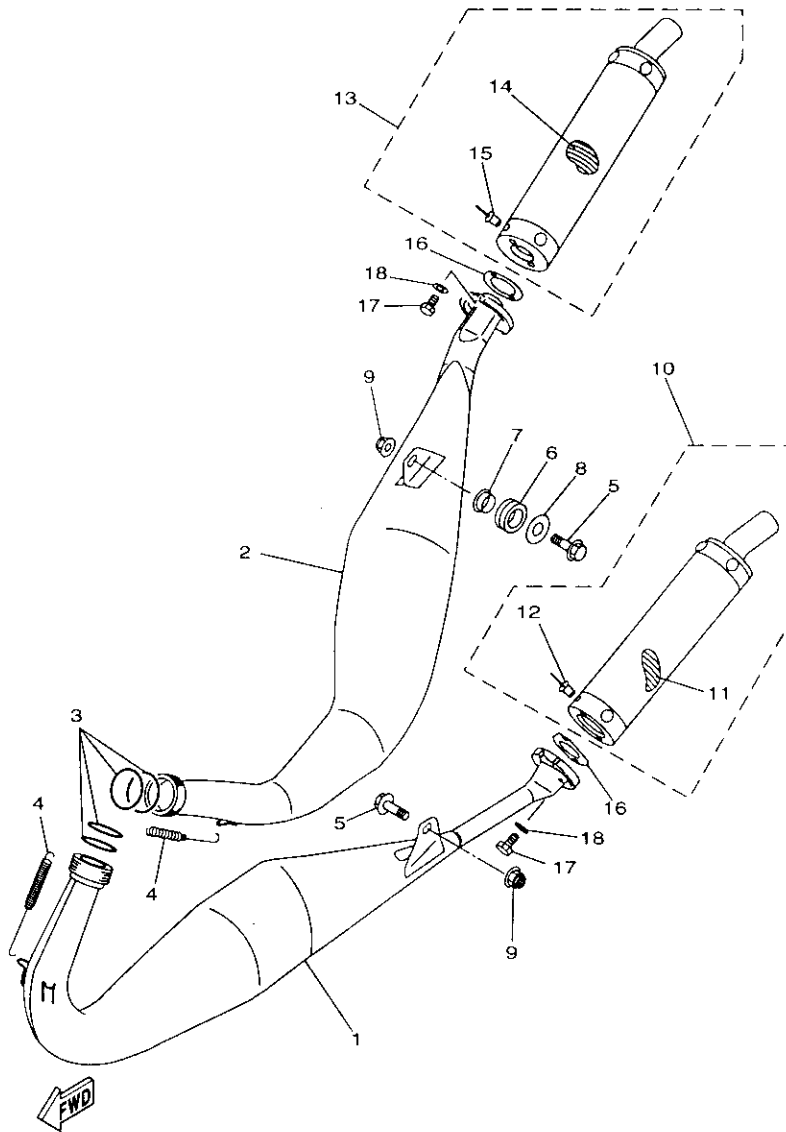
FIG. 8 CARBURETOR



REF. NO.	PART NO.	DESCRIPTION	USA	CAN	EUR	OCE	JPN	REMARKS
28	8A7-14139-00	CLIP, PIPE	2	2	2	2	2	
29	1RK-1410A-00	STARTER SET	1	1	1	1	1	
30	214-14147-00	O-RING	1	1	1	1	1	
31	3G2-14231-16	JET, POWER (# 80)	1	1	1	1	1	STD
	3G2-14231-14	JET, POWER (#70)	1	1	1	1	1	UR
32	3XV-1410H-00	FUEL CUT SOLENOID VALVE	1	1	1	1	1	
33	3LC-14147-00	O-RING	1	1	1	1	1	
34	3LC-1416A-00	O-RING	1	1	1	1	1	
35	3JD-14104-00	AIR SCREW SET	1	1	1	1	1	
36	4DP-14261-00	HOLDER	1	1	1	1	1	
37	4JT-14157-00	COVER, MIXING	2	2	2	2	2	

4TW2100-7080

B12

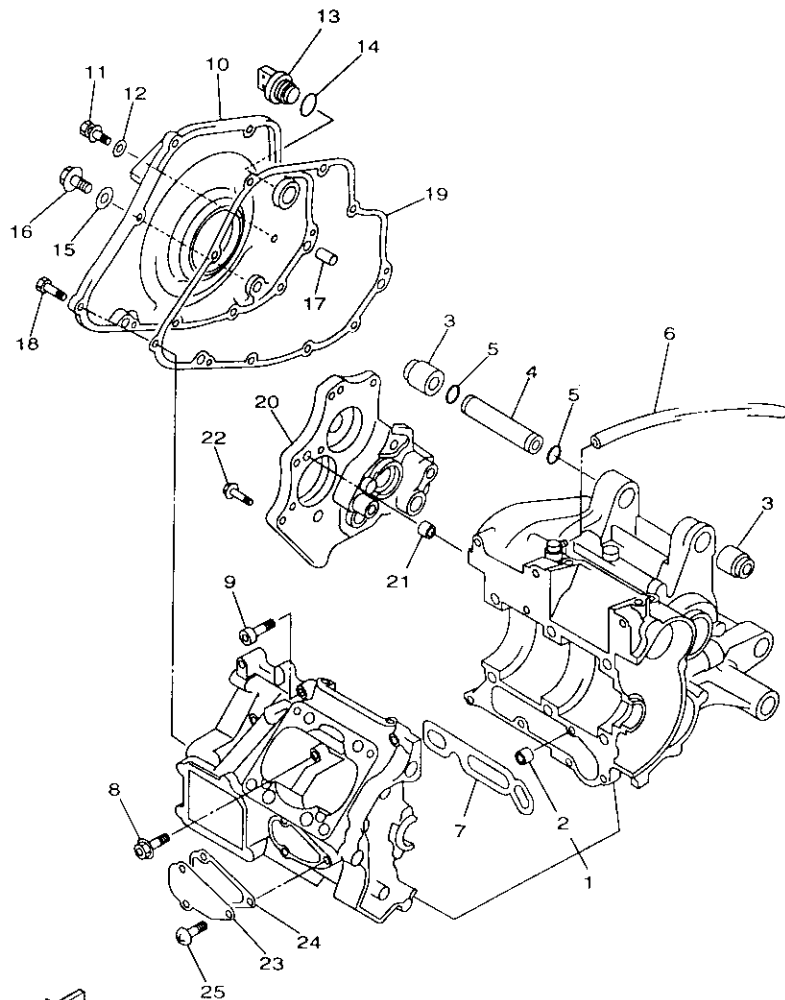


4TW1100-6090

FIG. 9 EXHAUST

REF. NO.	PART NO.	DESCRIPTION	USA	CAN	EUR	OCF	JPN	REMARKS
1	4TW-14610-30	EXHAUST PIPE ASSY 1	1					
	4TW-14610-20	EXHAUST PIPE ASSY 1		1	1	1	1	
2	4TW-14620-30	EXHAUST PIPE ASSY 2	1					
	4TW-14620-20	EXHAUST PIPE ASSY 2		1	1	1	1	
3	93210-42728	O-RING	4	4	4	4	4	
4	90507-20035	SPRING, TENSION	4	4	4	4	4	
5	95027-08030	BOLT, FLANGE	2	2		2	2	
6	90480-20389	GROMMET	1	1	1	1	1	
7	90387-084Y3	COLLAR	1	1	1	1	1	
8	90202-08022	WASHER, PLATE	1	1	1	1	1	
9	90185-08097	NUT, SELF-LOCKING	2	2	2	2	2	
10	4DP-14753-01	SILENCER, EXHAUST	1	1	1	1	1	
11	4DP-1469A-01	.FIBER	1	1	1	1	1	
12	90267-48147	.RIVET, BLIND	8	8	8	8	8	
13	4DP-14765-00	SILENCER	1	1	1	1	1	
14	4DP-1469A-10	.FIBER	1	1	1	1	1	
15	90267-48147	.RIVET, BLIND	8	8	8	8	8	
16	4DP-14755-00	GASKET, SILENCER	2	2	2	2	2	
17	97027-06020	BOLT	4	4	4	4	4	
18	92907-06600	WASHER, PLATE	4	4	4	4	4	

FIG. 10 CRANKCASE

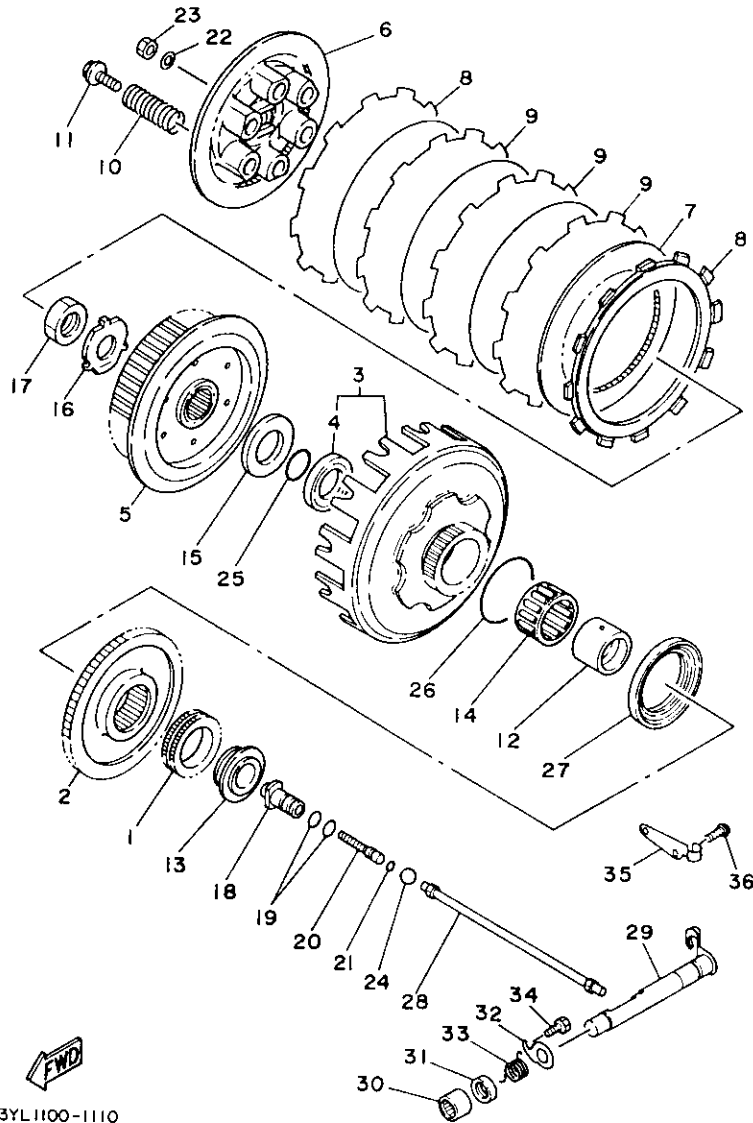


4TW1100-6100

REF. NO.	PART NO.	DESCRIPTION	USA	CAN	EUR	OC	JPN	REMARKS
1	3YL-15100-02	CRANKCASE ASSY	1	1	1	1	1	
2	99530-10014	.PIN, DOWEL	2	2	2	2	2	
3	3YL-15326-00	DAMPER, ENGINE MOUNT 2	4	4	4	4	4	
4	3YL-15327-01	SPACER, ENGINE MOUNT	2	2	2	2	2	
5	93210-15680	O-RING	4	4	4	4	4	
6	90445-093H5	HOSE	1	1	1	1	1	
7	3XV-15113-00	PLATE	1	1	1	1	1	
8	90109-084F1	BOLT	6	6	6	6	6	
9	91317-06030	BOLT	9	9	9	9	9	
10	3YL-15421-00	COVER, CRANKCASE 2	1	1	1	1	1	
11	90338-06041	PLUG	1	1	1	1	1	
12	90430-06166	GASKET	1	1	1	1	1	
13	4A0-15363-00	PLUG, OIL	1	1	1	1	1	
14	93210-21190	O-RING	1	1	1	1	1	
15	90430-12202	GASKET	1	1	1	1	1	
16	90340-12144	PLUG, STRAIGHT SCREW	1	1	1	1	1	
17	99530-08012	PIN, DOWEL	2	2	2	2	2	
18	91317-06020	BOLT	10	10	10	10	10	
19	3YL-15461-01	GASKET, CRANKCASE COVER 2	1	1	1	1	1	
20	4DP-15131-01	CRANKCASE 3	1	1	1	1	1	
21	99530-10014	PIN, DOWEL	2	2	2	2	2	
22	90109-065F8	BOLT	7	7	7	7	7	
23	3XV-15431-00	COVER, CRANKCASE 3	1	1	1	1	1	
24	3XV-15462-00	GASKET, CRANKCASE COVER 3	1	1	1	1	1	
25	92017-06014	BOLT, BUTTON HEAD	3	3	3	3	3	

B14

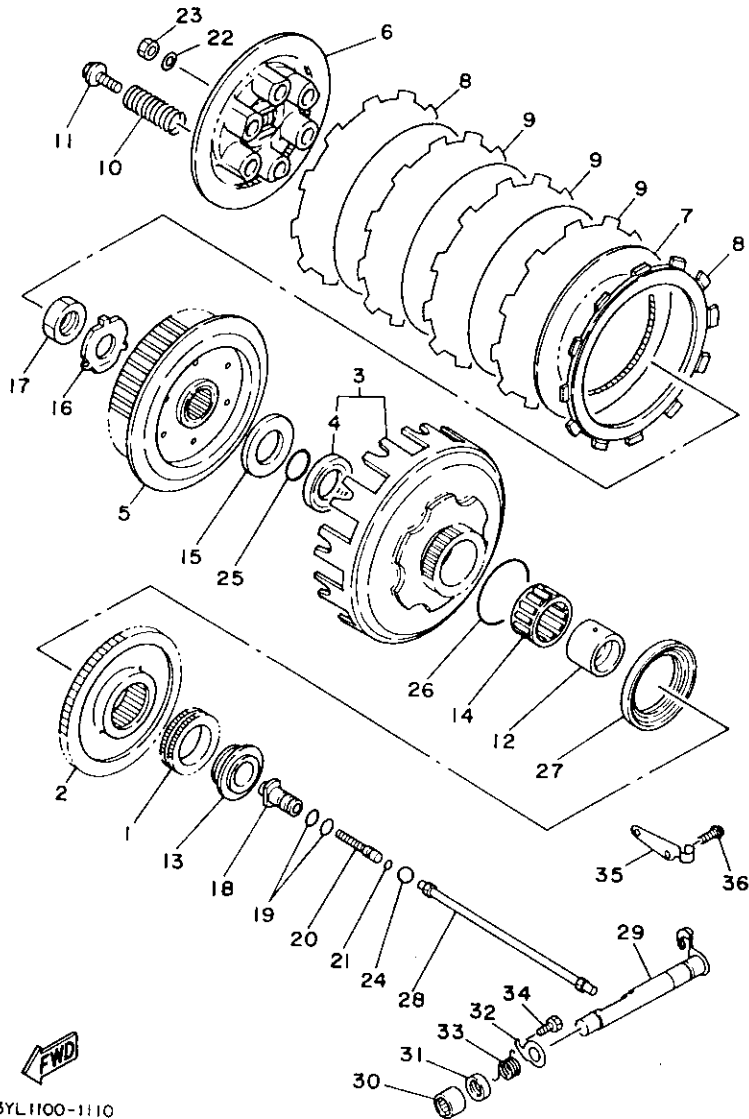
FIG. 11 CLUTCH



3YL1100-1110

REF. NO.	PART NO.	DESCRIPTION	USA	CAN	EUR	OCE	JPN	REMARKS
1	4DP-13324-00	GEAR, PUMP DRIVE	1	1	1	1	1	
2	4DP-16151-01	GEAR, PRIMARY DRIVEN	1	1	1	1	1	
3	5F7-16310-02	CLUTCH HOUSING ASSY	1	1	1	1	1	
4	93102-30243	.OIL SEAL	1	1	1	1	1	
5	26J-16371-01	BOSS, CLUTCH	1	1	1	1	1	
6	26J-16351-00	PLATE, PRESSURE 1	1	1	1	1	1	
7	168-16324-00	PLATE, CLUTCH 1	4	4	4	4	4	
8	3YL-16321-01	PLATE, FRICTION	2	2	2	2	2	
9	3AK-16321-00	PLATE, FRICTION	3	3	3	3	3	
10	90501-23138	SPRING, COMPRESSION	6	6	6	6	6	
11	90159-06016	SCREW, WITH WASHER	6	6	6	6	6	
12	5F7-16181-00	SPACER 1	1	1	1	1	1	
13	3YL-16154-00	PLATE, THRUST 1	1	1	1	1	1	
14	93310-332J5	BEARING	1	1	1	1	1	
15	5F7-16153-00	WASHER, THRUST	1	1	1	1	1	
16	90215-20212	WASHER, LOCK	1	1	1	1	1	
17	90170-20255	NUT	1	1	1	1	1	
18	59W-16356-00	ROD, PUSH 1	1	1	1	1	1	
19	93210-09165	O-RING	2	2	2	2	2	
20	5F7-16343-00	SCREW, ADJUSTING	1	1	1	1	1	
21	93210-04279	O-RING	1	1	1	1	1	
22	92907-06200	WASHER	1	1	1	1	1	
23	95307-06600	NUT	1	1	1	1	1	
24	93515-32029	BALL	1	1	1	1	1	
25	93210-22164	O-RING	1	1	1	1	1	
26	93210-42482	O-RING	1	1	1	1	1	
27	93101-56095	OIL SEAL	1	1	1	1	1	

B15



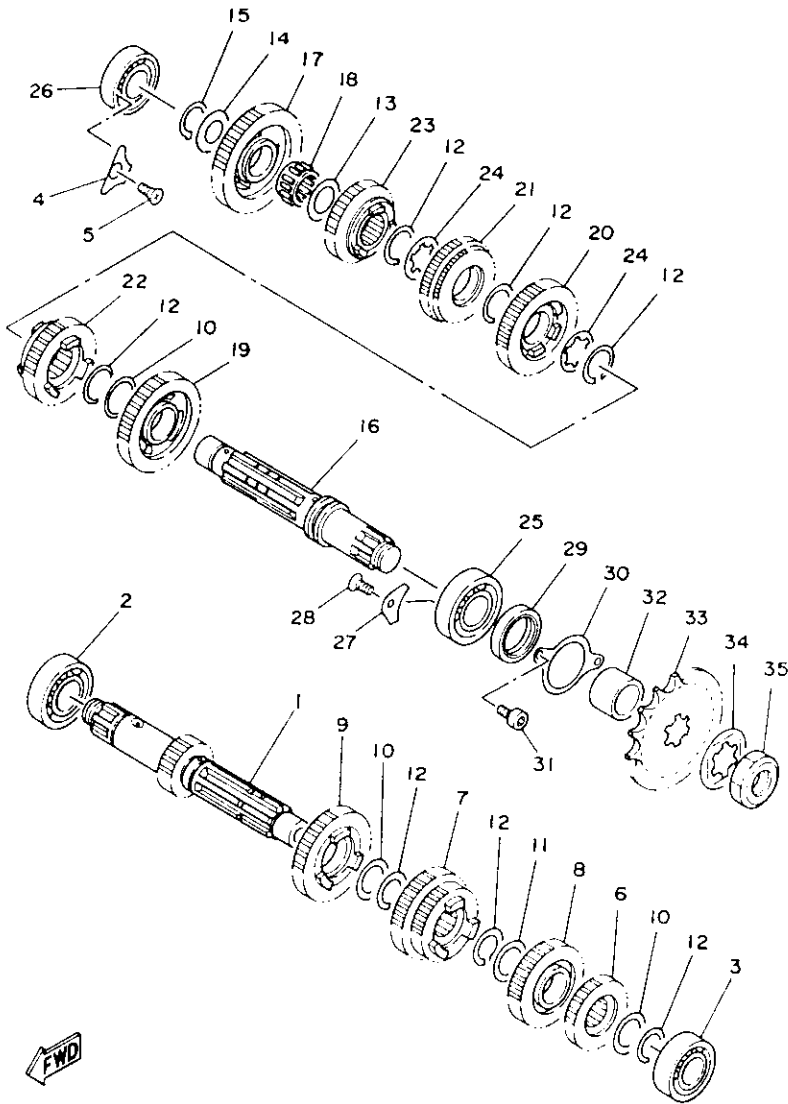
3YL1100-1110

FIG. 11 CLUTCH

REF. NO.	PART NO.	DESCRIPTION	USA	CAN	EUR	OCE	JPN	REMARKS
28	4DP-16357-00	ROD, PUSH 2	1	1	1	1	1	
29	3XV-16381-00	PUSH LEVER COMP.	1	1	1	1	1	
30	93315-11206	BEARING	1	1	1	1	1	
31	93102-12224	OIL SEAL	1	1	1	1	1	
32	3XV-16384-00	PLATE, SEAT	1	1	1	1	JPN	
33	90508-121A2	SPRING, TORSION	1	1	1	1	1	
34	91317-05010	BOLT	1	1	1	1	1	
35	3YL-15441-00	HOLDER, CLUTCH CABLE	1	1	1	1	1	
36	95027-06012	BOLT, FLANGE	2	2	2	2	2	

C2

FIG. 12 TRANSMISSION

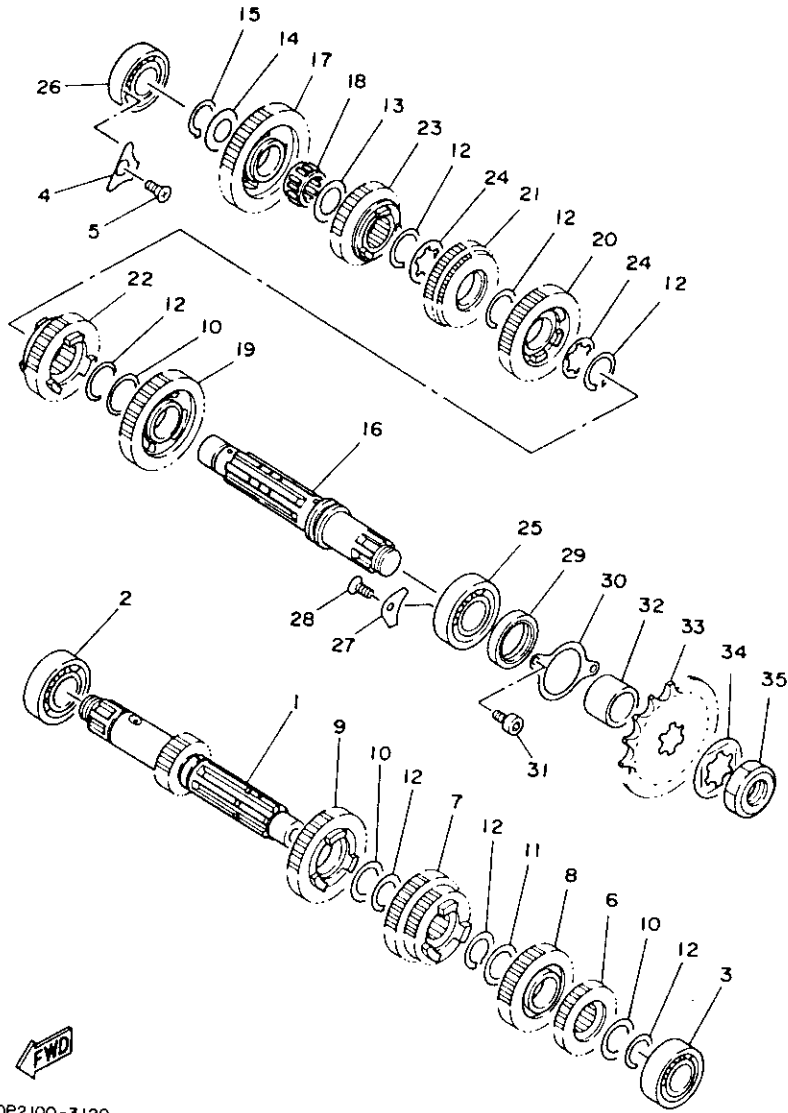


40P2100-3120

REF. NO.	PART NO.	DESCRIPTION	USA	CAN	EUR	OCE	JPN	REMARKS
1	3YL-17411-20	AXLE, MAIN (18T)	1	1	1	1	1	STD
	3YL-17411-10	AXLE, MAIN (14T)	1	1	1	1	1	UR
2	93306-20526	BEARING (B6205)	1	1	1	1	1	
3	93306-00442	BEARING	1	1	1	1	1	
4	3XV-15381-00	PLATE, BEARING COVER	1	1	1	1	1	
5	90151-06041	SCREW, COUNTERSUNK	1	1	1	1	1	
	4DP-17121-11	GEAR, 2ND PINION (21T)	1	1	1	1	1	STD
7	5F7-17121-21	GEAR, 2ND PINION (19T)	1	1	1	1	1	UR
	5F7-17131-11	GEAR, 3RD/4TH PINION (21T/25T)	1	1	1	1	1	
8	5F7-17151-01	GEAR, 5TH PINION (27T)	1	1	1	1	1	
9	5F7-17161-11	GEAR, 6TH PINION (25T)	1	1	1	1	1	STD
	5F7-17161-01	GEAR, 6TH PINION (22T)	1	1	1	1	1	UR
10	90201-253K0	WASHER, PLATE (T=1.0)	3	3	3	3	3	UN
	90201-256E6	WASHER, PLATE (T=0.9)	3	3	3	3	3	UN
11	90201-256E4	WASHER, PLATE (T=1.5)	1	1	1	1	1	
12	93440-25084	CIRCLIP	7	7	7	7	7	
13	90201-20276	WASHER, PLATE (1.0T)	1	1	1	1	1	
14	90201-20276	WASHER, PLATE (1.0T)	1	1	1	1	1	UN
	90201-206E5	WASHER, PLATE (0.9T)	1	1	1	1	1	UN
15	99009-20400	CIRCLIP	1	1	1	1	1	
16	3YL-17421-01	AXLE, DRIVE	1	1	1	1	1	
17	5F7-17211-20	GEAR, 1ST WHEEL (34T)	1	1	1	1	1	STD
	5F7-17211-10	GEAR, 1ST WHEEL (28T)	1	1	1	1	1	UR
18	93310-22057	BEARING (K20-24X10 S)	1	1	1	1	1	
19	4DP-17221-11	GEAR, 2ND WHEEL (31T)	1	1	1	1	1	STD
	5F7-17221-21	GEAR, 2ND WHEEL (27T)	1	1	1	1	1	UR
20	5F7-17231-11	GEAR, 3RD WHEEL (26T)	1	1	1	1	1	

C3

FIG. 12 TRANSMISSION

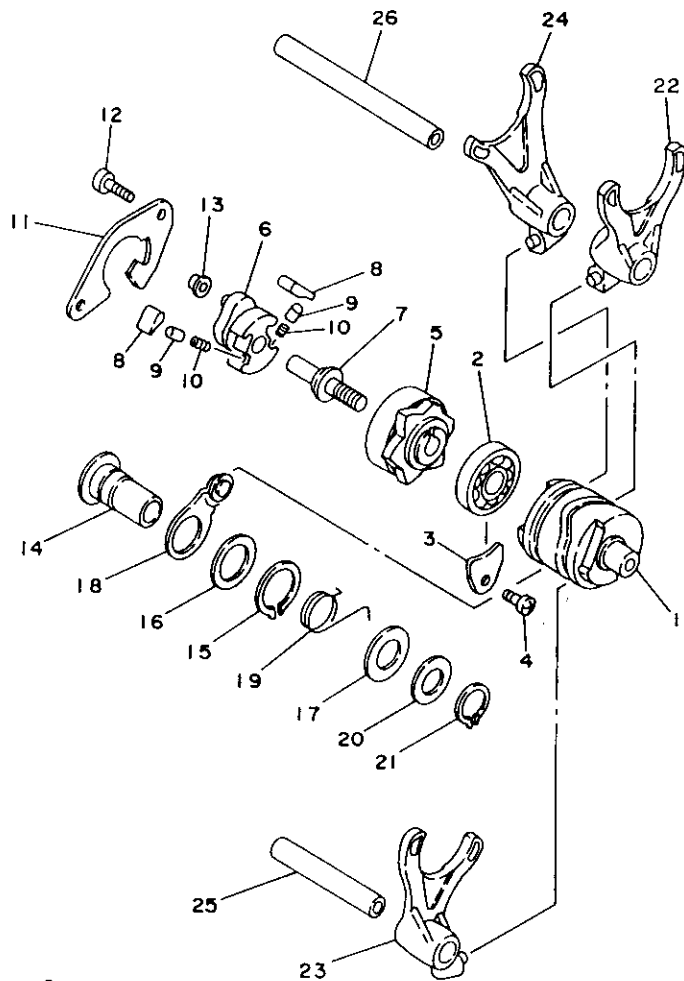


REF. NO.	PART NO.	DESCRIPTION	USA	CAN	EUR	OCF	JPN	REMARKS
21	3YL-17241-00	GEAR, 4TH WHEEL (27T)	1	1	1	1	1	
22	3YL-17251-00	GEAR, 5TH. WHEEL (26T)	1	1	1	1	1	
23	3YL-17261-11	GEAR, 6TH WHEEL (22T)	1	1	1	1	1	STD
	3YL-17261-00	GEAR, 6TH WHEEL (20T)	1	1	1	1	1	UR
24	5F7-17136-00	WASHER (0.7T)	2	2	2	2	2	UN
	90209-22082	WASHER (0.5T)	2	2	2	2	2	UN
25	93306-20574	BEARING	1	1	1	1	1	
26	93306-20470	BEARING	1	1	1	1	1	
27	2K7-15383-00	PLATE, BEARING COVER	1	1	1	1	1	
28	90151-06041	SCREW, COUNTERSUNK	1	1	1	1	1	
29	93102-32337	OIL SEAL	1	1	1	1	1	
30	3AK-17471-00	PLATE, COVER	1	1	1	1	1	
31	91317-05012	BOLT	2	2	2	2	2	
32	90387-250Y0	COLLAR	1	1	1	1	1	
33	93834-14178	SPROCKET, DRIVE (14T)	1	1	1	1	1	STD
	93834-15079	SPROCKET,DRIVE 15T(5F71746150)	1	1	1	1	1	UR
	93834-16104	SPROCKET,DRIVE 16T(5F71746160)	1	1	1	1	1	UR
34	90215-21121	WASHER, LOCK	1	1	1	1	1	
35	90179-20255	NUT	1	1	1	1	1	

4DP2100-3120

C4

FIG. 13 SHIFT CAM. FORK

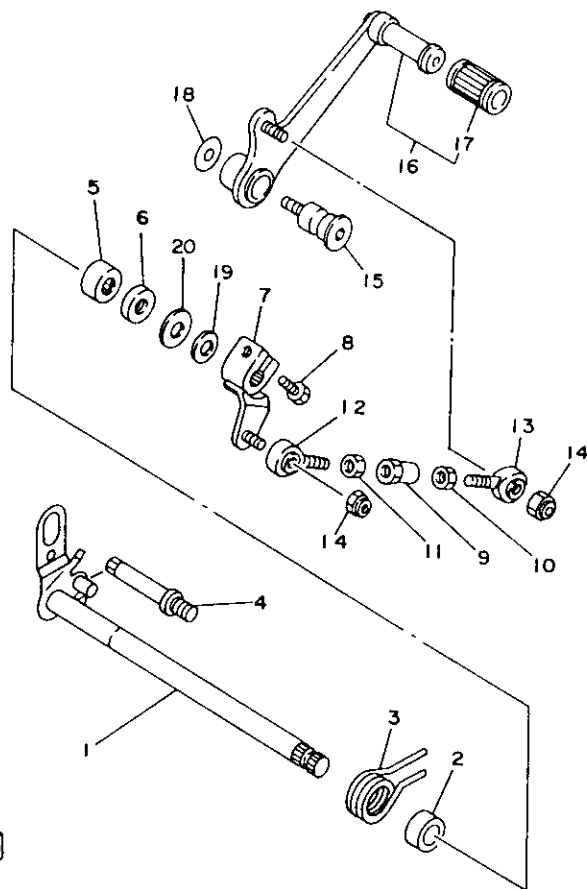


REF. NO.	PART NO.	DESCRIPTION	USA	CAN	EUR	OCE	JPN	REMARKS
1	4DP-18540-00	SHIFT CAM ASSY	1	1	1	1	1	
2	93306-90302	BEARING	1	1	1	1	1	
3	3XV-18562-00	PLATE, STOPPER 2	1	1	1	1	1	
4	90157-05106	SCREW, PAN HEAD	1	1	1	1	1	
5	3YL-18185-00	SEGMENT	1	1	1	1	1	
6	3XV-18122-00	LEVER, SHIFT 2	1	1	1	1	1	
7	3XV-18173-00	PIN, SHIFT	1	1	1	1	1	
8	3YL-18182-00	PAWL, SHIFTER	2	2	2	2	2	
9	3YL-18184-00	PIN, PAWL	2	2	2	2	2	
10	90501-052G5	SPRING, COMPRESSION	2	2	2	2	2	
11	3XV-18172-00	GUIDE, SHIFT	1	1	1	1	1	
12	91318-06014	BOLT	2	2	2	2	2	
13	3XJ-18178-00	ROLLER, SHIFT LEVER	1	1	1	1	1	
14	90387-127V3	COLLAR	1	1	1	1	1	
15	99009-17400	CIRCLIP	1	1	1	1	1	
16	90201-177G4	WASHER, PLATE	1	1	1	1	1	
17	90201-154E8	WASHER, PLATE (1.0T)	1	1	1	1	1	
18	3XV-18140-00	STOPPER LEVER ASSY	1	1	1	1	1	
19	90508-231A5	SPRING, TORSION	1	1	1	1	1	
20	90201-127E1	WASHER, PLATE	1	1	1	1	1	
21	99009-12400	CIRCLIP	1	1	1	1	1	
22	4DP-18511-00	FORK, SHIFT 1	1	1	1	1	1	
23	4DP-18512-00	FORK, SHIFT 2	1	1	1	1	1	
24	4DP-18513-00	FORK, SHIFT 3	1	1	1	1	1	
25	4DP-18531-01	BAR, SHIFT FORK GUIDE 1	1	1	1	1	1	
26	3XV-18535-00	BAR, SHIFT FORK GUIDE 2	1	1	1	1	1	

3YL1100-1130

C5

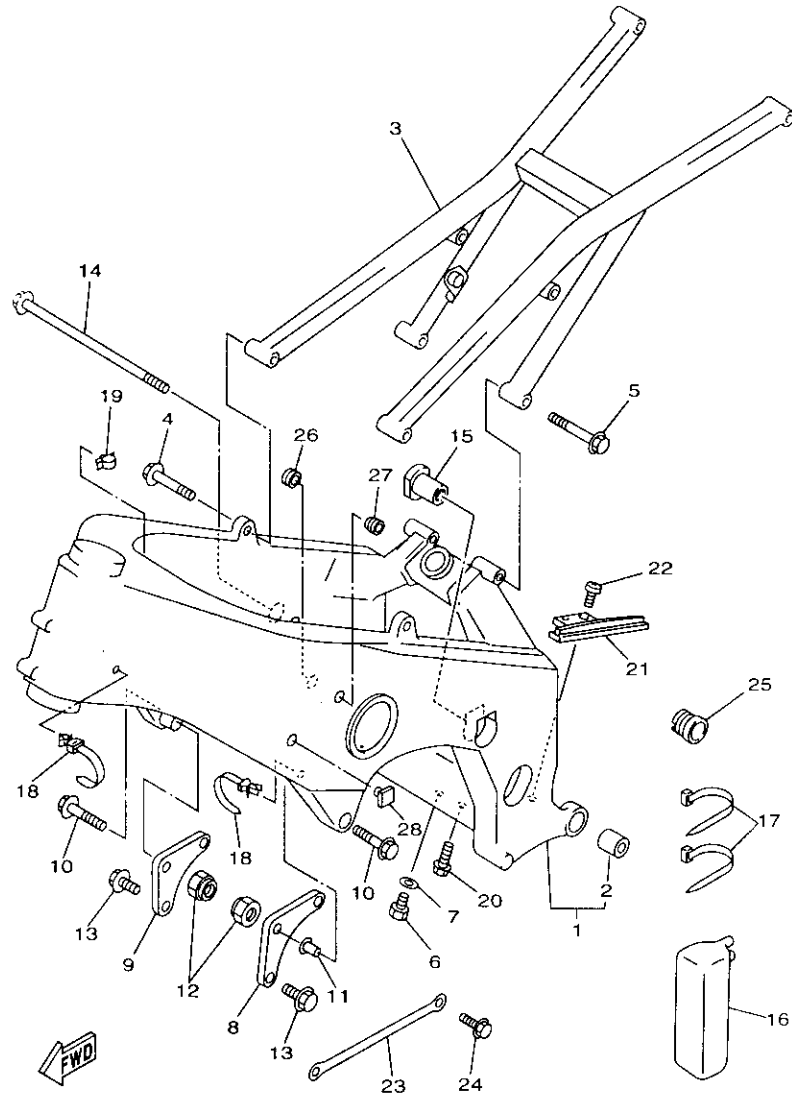
FIG. 14 SHIFT SHAFT



4DP2100-3140

REF. NO.	PART NO.	DESCRIPTION	USA	CAN	EUR	OCE	JPN	REMARKS
1	4DP-18101-00	SHIFT SHAFT ASSY	1	1	1	1	1	
2	90560-12361	SPACER	1	1	1	1	1	
3	90508-29742	SPRING, TORSION	1	1	1	1	1	
4	3MA-18127-00	STOPPER, SCREW	1	1	1	1	1	
5	90380-12214	BUSH, SOLID	1	1	1	1	1	
6	93102-12106	OIL SEAL (SD 12-22-5 HS)	1	1	1	1	1	
7	4DP-18112-00	ARM, SHIFT	1	1	1	1	1	
8	97017-06020	BOLT	1	1	1	1	1	
9	5F7-18115-00	ROD, SHIFT	1	1	1	1	1	
10	90170-06228	NUT(COUNTER CLOCKWISE)	1	1	1	1	1	
11	95304-06700	NUT	1	1	1	1	1	
12	5F7-18116-00	JOINT, ROD 1	1	1	1	1	1	
13	5F7-18117-00	JOINT, ROD 2	1	1	1	1	1	
14	95607-06100	NUT, U	2	2	2	2	2	
15	90109-087F6	BOLT	1	1	1	1	1	
16	4DP-18110-00	SHIFT PEDAL ASSY	1	1	1	1	1	
17	3FV-18113-00	COVER, SHIFT PEDAL	1	1	1	1	1	
18	90201-087F0	WASHER, PLATE	1	1	1	1	1	
19	90560-12075	SPACER	1	1	1	1	1	
20	90201-12588	WASHER, PLATE	1	1	1	1	1	

FIG. 15 FRAME



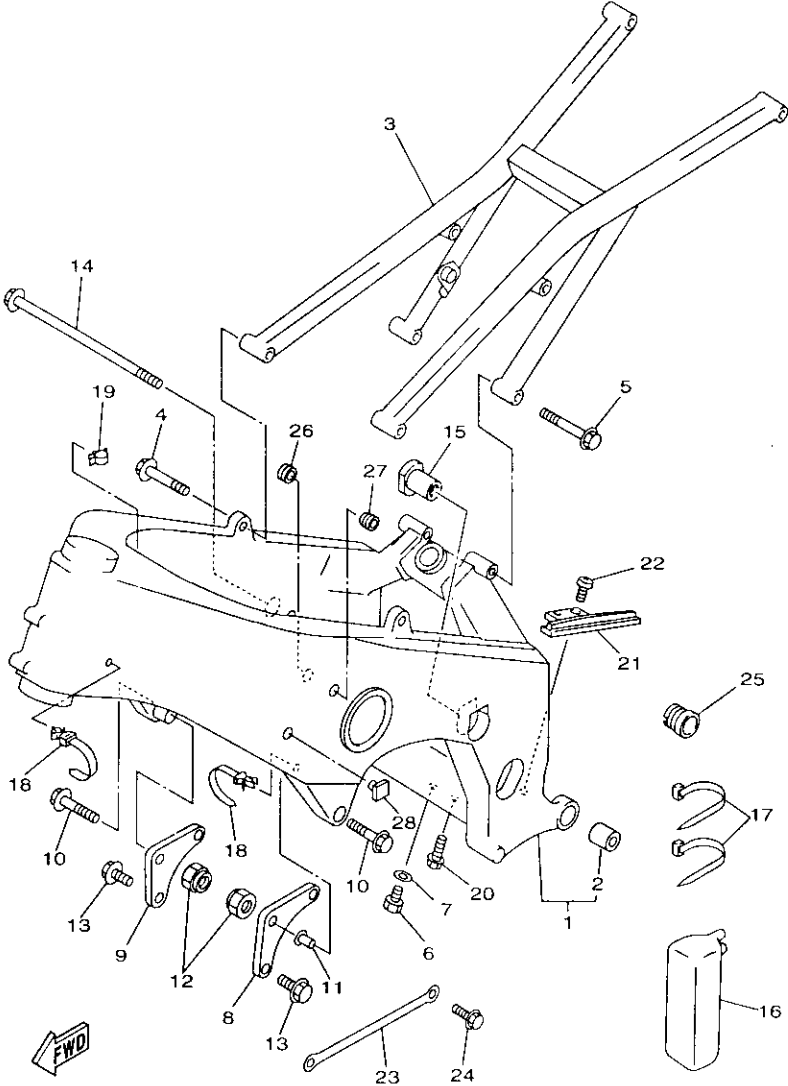
4TW2100-7150

REF. NO.	PART NO.	DESCRIPTION	USA	CAN	EUR	OCE	JPN	REMARKS
1	4TW-21110-01	FRAME COMP.	1	1	1	1	1	
2	36Y-27414-00	.DAMPER, FOOTREST	1	1	1	1	1	
3	4TW-21190-00	REAR FRAME COMP.	1	1	1	1	1	
4	95027-06025	BOLT, FLANGE	2	2	2	2	2	
5	95027-06045	BOLT, FLANGE	2	2	2	2	2	
6	90338-06041	PLUG	2	2	2	2	2	
7	90430-06166	GASKET	2	2	2	2	2	
8	4DP-21411-00	BRACKET, ENGINE 1	1	1	1	1	1	
9	4DP-21419-00	BRACKET, ENGINE 2	1	1	1	1	1	
10	90105-10778	BOLT, WASHER BASED	2	2	2	2	2	
11	90387-105U6	COLLAR	1	1	1	1	1	
12	95607-10200	NUT, SELF-LOCKING	2	2	2	2	2	
13	95027-08020	BOLT, FLANGE	4	4	4	4	4	
14	90105-10227	BOLT, WASHER BASED	2	2	2	2	2	
15	90179-10682	NUT	2	2	2	2	2	
16	3YL-21751-00	TANK, OIL	1	1	1	1	1	
17	90465-13275	CLAMP	2	2	2	2	2	
18	90464-12089	CLAMP	2	2	2	2	2	
19	90464-25160	CLAMP	2	2	2	2	2	
20	90109-067E6	BOLT	3	3	3	3	3	
21	4TW-22151-00	SEAL, GUARD	1	1	1	1	1	
22	97707-50012	SCREW, TAPPING	2	2	2	2	2	
23	4TW-2117A-00	STAY	1	1	1	1	1	
24	95027-06016	BOLT, FLANGE	1	1	1	1	1	
25	4DP-21495-00	BOLT, ENGINE ADJUSTING	1	1	1	1	1	
26	90480-18276	GROMMET	2	2	2	2	2	
27	90480-14153	GROMMET	2	2	2	2	2	

C7

FIG. 15 FRAME

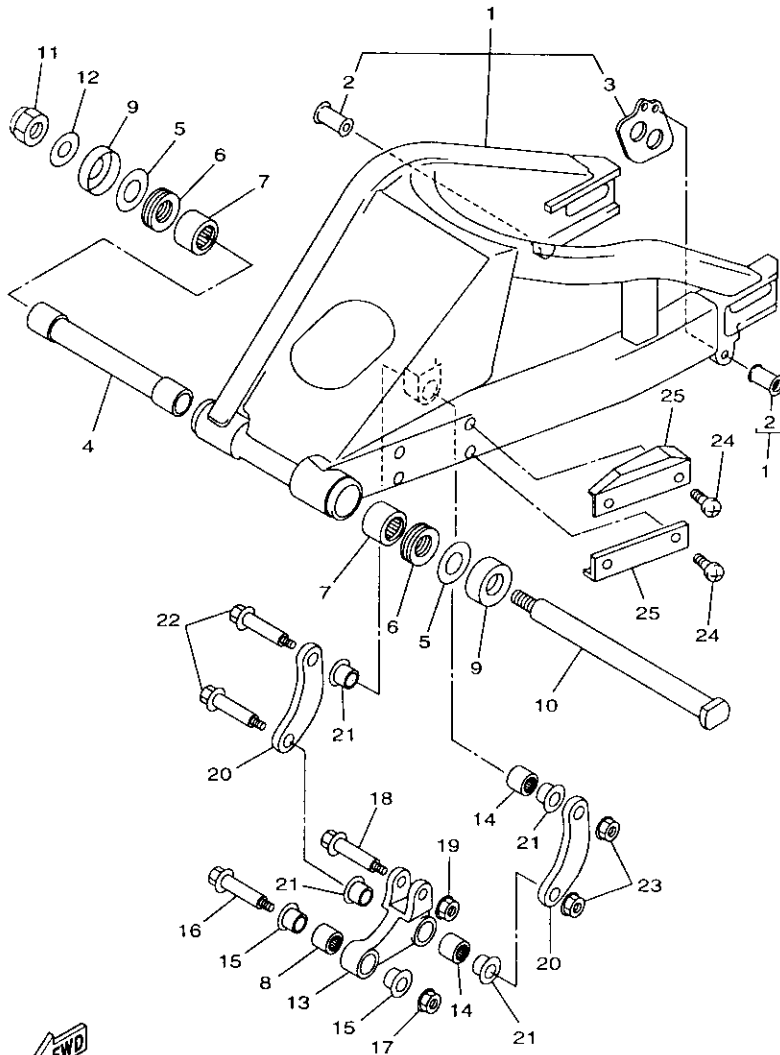
REF. NO.	PART NO.	DESCRIPTION	USA	CAN	EUR	OCE	JPN	REMARKS
28	4TW-21331-00	HOOK, SIDE COVER 1	1	1	1	1	1	



4TW2100-7150

C8

FIG. 16 REAR ARM

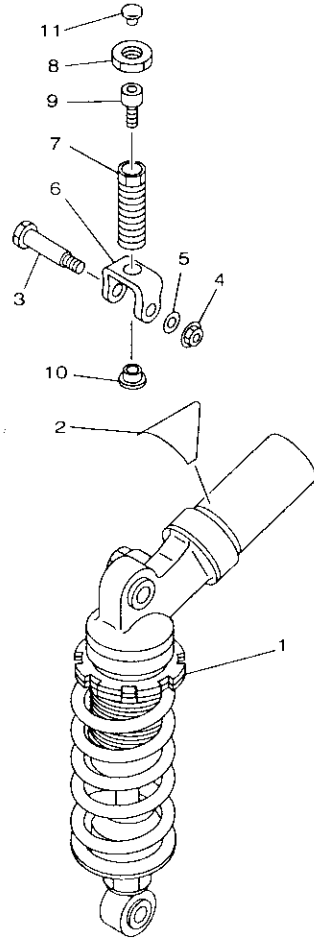
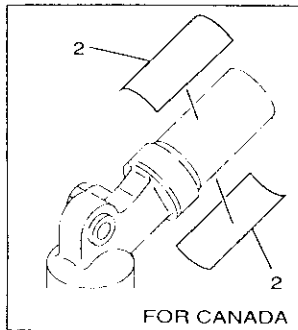
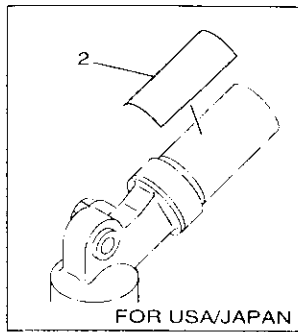


REF. NO.	PART NO.	DESCRIPTION	USA	CAN	EUR	OCE	JPN	REMARKS
1	4TW-22110-01	REAR ARM COMP.	1	1	1	1	1	
2	4JT-2216F-00	.HOOK	2	2	2	2	2	
3	4TW-22187-00	.GUIDE, CHAIN	1	1	1	1	1	
4	3XV-22184-00	BUSH	1	1	1	1	1	
5	1X2-22127-00	SHIM	2	2	2	2	2	UN
6	93342-22516	BEARING	2	2	2	2	2	
7	93315-42523	BEARING	2	2	2	2	2	
8	93320-21507	BEARING	1	1	1	1	1	
9	3FV-22128-00	COVER, THRUST 1	2	2	2	2	2	
10	3MA-22141-01	SHAFT, PIVOT	1	1	1	1	1	
11	90185-18104	NUT, SELF-LOCKING	1	1	1	1	1	
12	92907-18200	WASHER	1	1	1	1	1	
13	4TW-2217A-00	ARM, RELAY	1	1	1	1	1	
14	93320-21507	BEARING	2	2	2	2	2	
15	90387-124Y8	COLLAR	2	2	2	2	2	
16	90101-10709	BOLT	1	1	1	1	1	
17	95617-10200	NUT, SELF-LOCKING	1	1	1	1	1	
18	90101-10709	BOLT	1	1	1	1	1	
19	95617-10200	NUT, SELF-LOCKING	1	1	1	1	1	
20	4TW-2217F-00	ROD, CONNECTING 1	2	2	2	2	2	
21	90387-124Y8	COLLAR	4	4	4	4	4	
22	90101-10709	BOLT	2	2	2	2	2	
23	95617-10200	NUT, SELF-LOCKING	2	2	2	2	2	
24	98907-06020	SCREW, BIND	4	4	4	4	4	
25	4TW-22147-00	PROTECTOR, CHAIN	2	2	2	2	2	

4TW2100-7160

C9

FIG. 17 REAR SUSPENSION



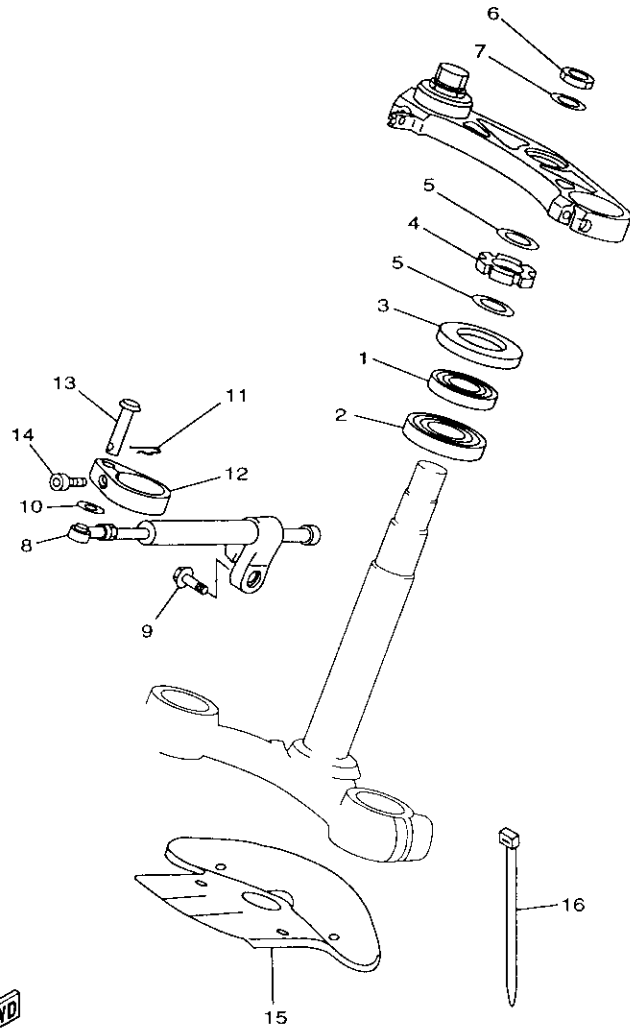
REF. NO.	PART NO.	DESCRIPTION	USA	CAN	EUR	OCE	JPN	REMARKS
1	4TW-22210-40	SHOCK ABSORBER ASSY. REAR	1	1	1	1	1	
2	4AA-22259-00	LABEL, WARNING	1	1				
	4AA-22259-10	LABEL, WARNING		1				
	4AA-22259-40	LABEL, WARNING			1	1		
	4AA-22259-50	LABEL, WARNING					1	
3	90101-10709	BOLT	1	1	1	1	1	
4	95617-10200	NUT, SELF-LOCKING	1	1	1	1	1	
5	90201-127J6	WASHER, PLATE	1	1	1	1	1	
6	4JT-22219-00	BRACKET, UPPER	1	1	1	1	1	
7	4JT-22239-00	ADJUSTER	1	1	1	1	1	
8	1RK-22251-00	NUT 1	1	1	1	1	1	
9	91317-10016	BOLT	1	1	1	1	1	
10	3AK-22252-00	NUT	1	1	1	1	1	
11	90480-14153	GROMMET	1	1	1	1	1	



4TW2100-7170

C10

FIG. 18 STEERING

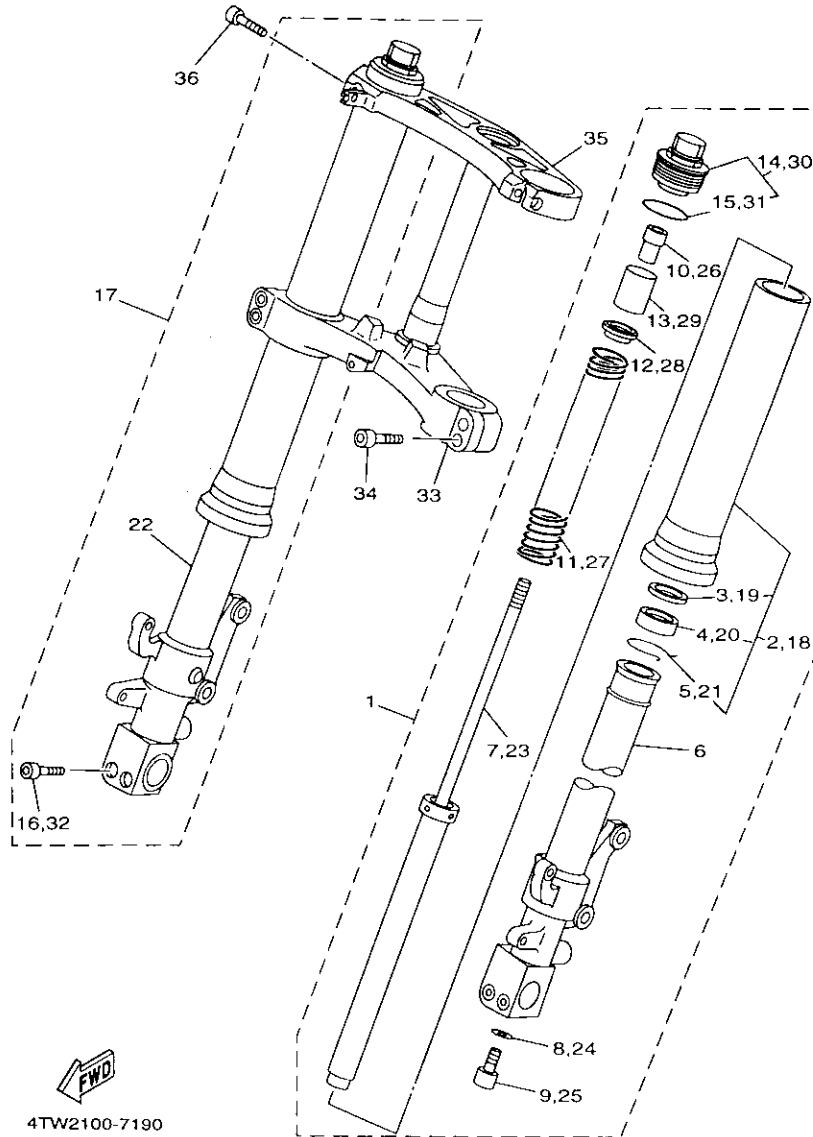


4TW2100-7180

REF. NO.	PART NO.	DESCRIPTION	USA	CAN	EUR	OCE	JPN	REMARKS
1	93332-00001	BEARING	1	1	1	1	1	
2	93332-00008	BEARING	1	1	1	1	1	
3	1J7-23415-00	COVER, BALL RACE 1	1	1	1	1	1	
4	90179-25033	NUT	1	1	1	1	1	
5	90201-25526	WASHER, PLATE (T2.0)	2	2	2	2	2	
6	1RK-22251-00	NUT 1	1	1	1	1	1	
7	90201-225A4	WASHER, PLATE (T1.0)	1	1	1	1	1	
8	4TW-23490-00	HANDLEBAR SHIMMY DAMPER ASSY	1	1	1	1	1	
9	95817-08020	BOLT, FLANGE	1	1	1	1	1	
10	90201-08455	WASHER, PLATE	1	1	1	1	1	
11	90468-16099	CLIP	1	1	1	1	1	
12	3YL-23495-00	STAY, DAMPER	1	1	1	1	1	
13	91701-08035	PIN, CLEVIS	1	1	1	1	1	
14	91317-06025	BOLT	1	1	1	1	1	
15	4TW-21552-00	FENDER, INNER	1	1	1	1	1	
16	90465-13275	CLAMP	2	2	2	2	2	

C11

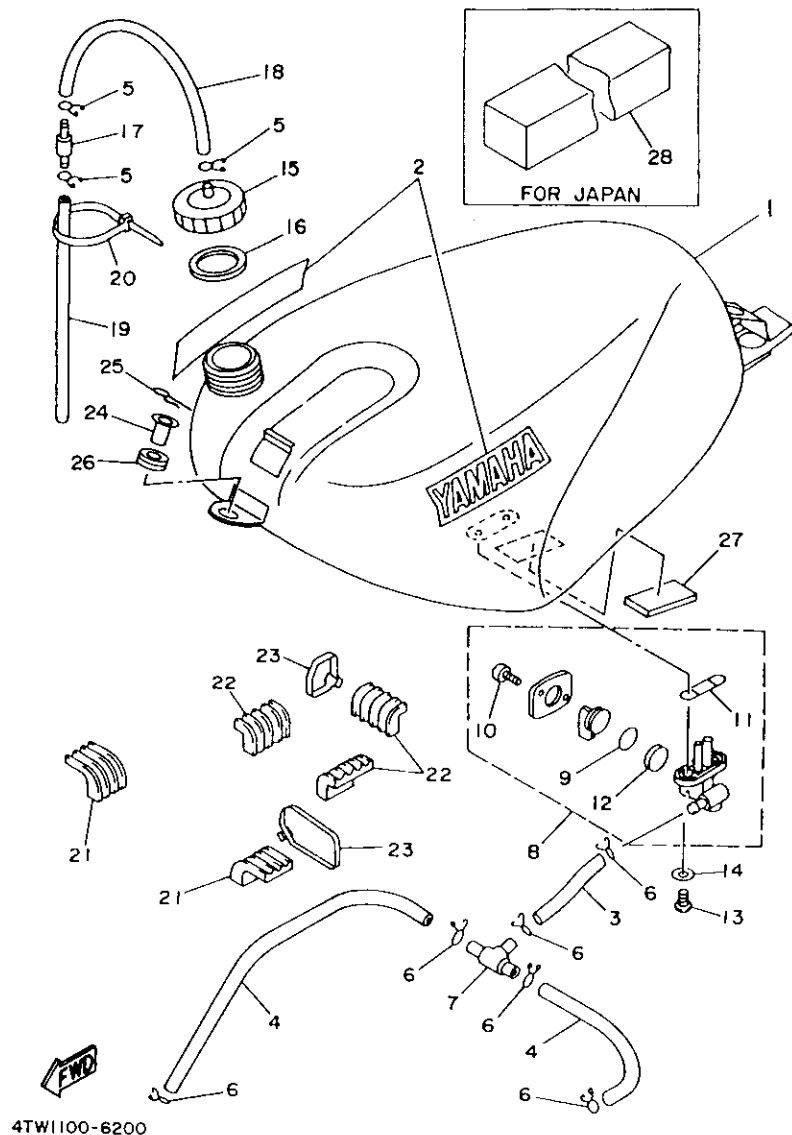
FIG. 19 FRONT FORK



REF. NO.	PART NO.	DESCRIPTION	USA	CAN	EUR	OCE	JPN	REMARKS
1	4TW-23102-10	FRONT FORK ASSY (L.H)	1	1	1	1	1	
2	4TW-23136-10	.TUBE, OUTER (RIGHT)	1	1	1	1	1	
3	36Y-23146-10	..WASHER, OIL SEAL	1	1	1	1	1	
4	3JD-23145-L0	..OIL SEAL	1	1	1	1	1	
5	26H-23156-00	..CLIP, OIL SEAL	1	1	1	1	1	
6	4TW-23110-10	INNER TUBE COMP. 1	1	1	1	1	1	
7	4TW-23170-10	..CYLINDER COMP., FRONT FORK	1	1	1	1	1	
8	2K8-23158-L0	..GASKET	1	1	1	1	1	
9	3LC-23181-00	..BOLT, HEXAGON SOCKET HEAD	1	1	1	1	1	
10	4TW-23357-10	NUT	1	1	1	1	1	
11	3YL-23141-00	..SPRING, FRONT FORK	1	1	1	1	1	
12	4TW-23142-10	..SEAT, SPRING UPPER	1	1	1	1	1	
13	4TW-23118-10	SPACER	1	1	1	1	1	
14	4TW-23111-10	..BOLT, CAP	1	1	1	1	1	
15	3SP-23147-M0	..O-RING	1	1	1	1	1	
16	91311-06040	BOLT	2	2	2	2	2	
17	4TW-23103-10	FRONT FORK ASSY (R.H)	1	1	1	1	1	
18	4TW-23136-10	.TUBE, OUTER (RIGHT)	1	1	1	1	1	
19	36Y-23146-10	..WASHER, OIL SEAL	1	1	1	1	1	
20	3JD-23145-L0	..OIL SEAL	1	1	1	1	1	
21	26H-23156-00	..CLIP, OIL SEAL	1	1	1	1	1	
22	4TW-23120-10	INNER TUBE COMP.2	1	1	1	1	1	
23	4TW-23170-10	..CYLINDER COMP., FRONT FORK	1	1	1	1	1	
24	2K8-23158-L0	GASKET	1	1	1	1	1	
25	3LC-23181-00	BOLT, HEXAGON SOCKET HEAD	1	1	1	1	1	
26	4TW-23357-10	NUT	1	1	1	1	1	
27	3YL-23141-00	..SPRING, FRONT FORK	1	1	1	1	1	

C12

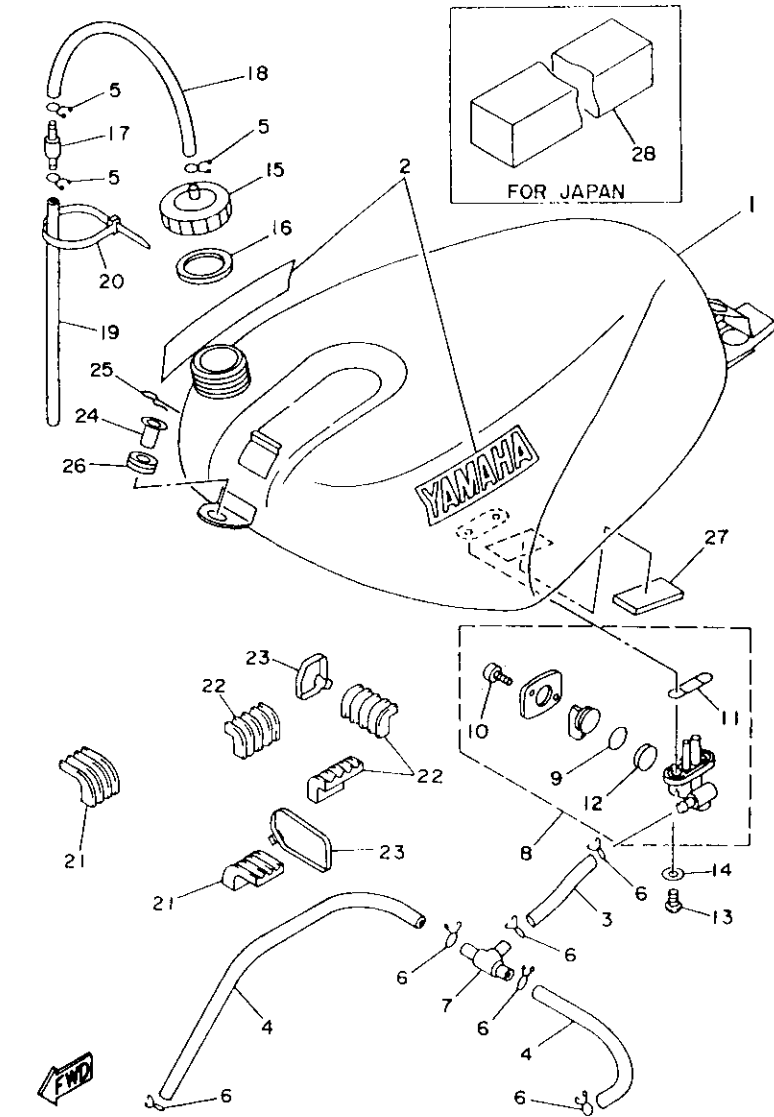
FIG. 20 FUEL TANK



4TW1100-6200

REF. NO.	PART NO.	DESCRIPTION	USA	CAN	EUR	OCE	JPN	REMARKS
1	4TW-24110-00-36	FUEL TANK COMP.	1	1	1	1	1	WW
2	99237-00180	EMBLEM, YAMAHA	2	2	2	2	2	
3	90445-112E9	HOSE	1	1	1	1	1	
4	90445-11182	HOSE	2	2	2	2	2	
5	90467-09006	CLIP	3	3	3	3	3	
6	90467-10008	CLIP	6	6	6	6	6	
7	1X2-24376-00	JOINT, FUEL PIPE	1	1	1	1	1	
8	4DP-24500-00	FUEL COCK ASSY 1	1	1	1	1	1	
9	3AJ-24534-00	.SEAL, COCK	1	1	1	1	1	
10	97801-03008	.SCREW, PAN HEAD	2	2	2	2	2	
11	4X8-24512-00	.O-RING	1	1	1	1	1	
12	3AJ-24523-00	.VALVE PACKING	1	1	1	1	1	
13	90149-06011	SCREW	2	2	2	2	2	
14	90202-05193	WASHER, PLATE	2	2	2	2	2	
15	2A6-24611-00	BODY, CAP	1	1	1	1	1	
16	1W1-24612-00	GASKET, CAP	1	1	1	1	1	
17	3XJ-24380-00	PIPE JOINT ASSY	1	1	1	1	1	
18	91A20-05020	TUBE, FLEXIBLE VINYL	1	1	1	1	1	
19	91A20-05095	TUBE, FLEXIBLE VINYL	1	1	1	1	1	
20	90465-13152	CLAMP	1	1	1	1	1	
21	4DP-24181-00	DAMPER, LOCATING 1	2	2	2	2	2	
22	3LC-24182-00	DAMPER, LOCATING 2	3	3	3	3	3	
23	90465-13275	CLAMP	5	5	5	5	5	
24	90387-083U8	COLLAR	1	1	1	1	1	
25	4JT-2411M-00	CLIP	1	1	1	1	1	
26	90480-18418	GROMMET	1	1	1	1	1	
27	22F-24181-00	DAMPER, LOCATING 1	1	1	1	1	1	

FIG. 20 FUEL TANK



4TW1100-6200

REF. NO.	PART NO.	DESCRIPTION	USA	CAN	EUR	OC	JPN	REMARKS
28	4JT-2411R-00	PLATE 1					1	AP

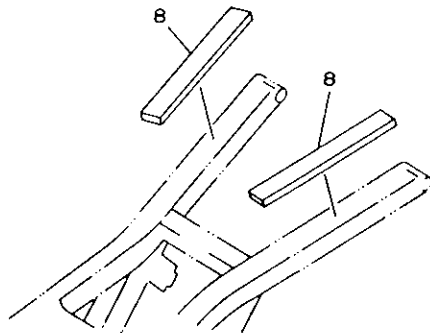
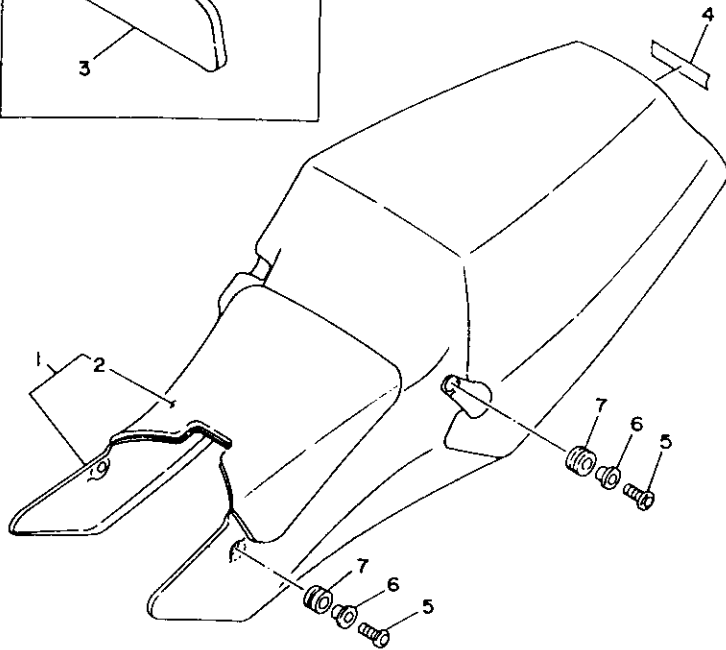
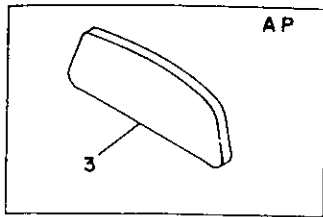


FIG. 21 SEAT

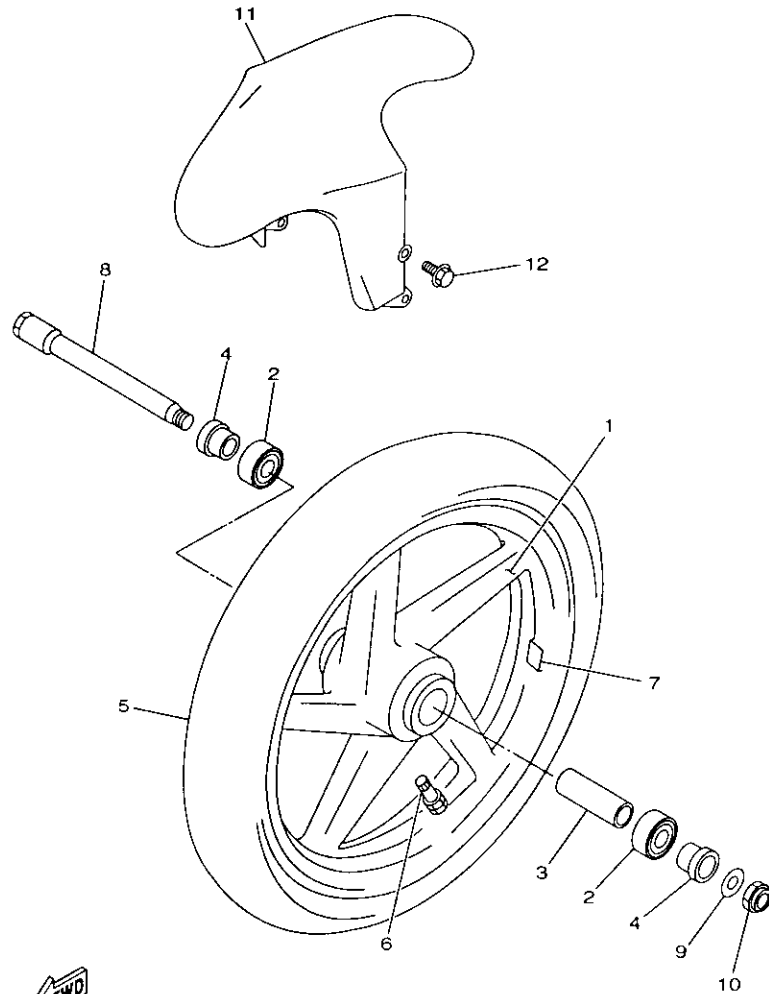
REF. NO.	PART NO.	DESCRIPTION	USA	CAN	EUR	OCE	JPN	REMARKS
1	4DP-24710-20	SINGLE SEAT ASSY	1	1	1	1	1	
2	4DP-24713-00	.CUSHION	1	1	1	1	1	
3	3YL-24733-00	CUSHION	1	1	1	1	1	AP
4	99237-00100	EMBLEM, YAMAHA	1	1	1	1	1	
5	95027-06020	BOLT, FLANGE	4	4	4	4	4	
6	90387-062L2	COLLAR	4	4	4	4	4	
7	90480-13018	GROMMET	4	4	4	4	4	
8	1KT-P2122-00	SEAT, BATTERY	2	2	2	2	2	



4DP3100-4210

D2

FIG. 22 FRONT WHEEL



REF. NO.	PART NO.	DESCRIPTION	USA	CAN	EUR	OCE	JPN	REMARKS
1	4TW-25168-00	CAST WHEEL, FRONT	1	1	1	1	1	
2	93306-00507	BEARING (B6005)	2	2	2	2	2	
3	4TW-25117-00	SPACER, BEARING	1	1	1	1	1	
4	4TW-25183-00	COLLAR, WHEEL	2	2	2	2	2	
5	94131-1709C	TIRE (3.10/4.80 R17 KR106)	1	1	1	1	1	DUNLOP
6	93900-00031	VALVE, RIM	1	1	1	1	1	
7	4TW-25398-00	BALANCER, WHEEL	1	1	1	1	1	UN
8	4DP-25181-10	AXLE, WHEEL	1	1	1	1	1	
9	90201-183E1	WASHER, PLATE	1	1	1	1	1	
10	90185-18104	NUT, SELF-LOCKING	1	1	1	1	1	
11	3YL-21510-00	FRONT FENDER COMP.	1	1	1	1	1	
12	95027-06012	BOLT, FLANGE	4	4	4	4	4	



4TW1100-6220

D3

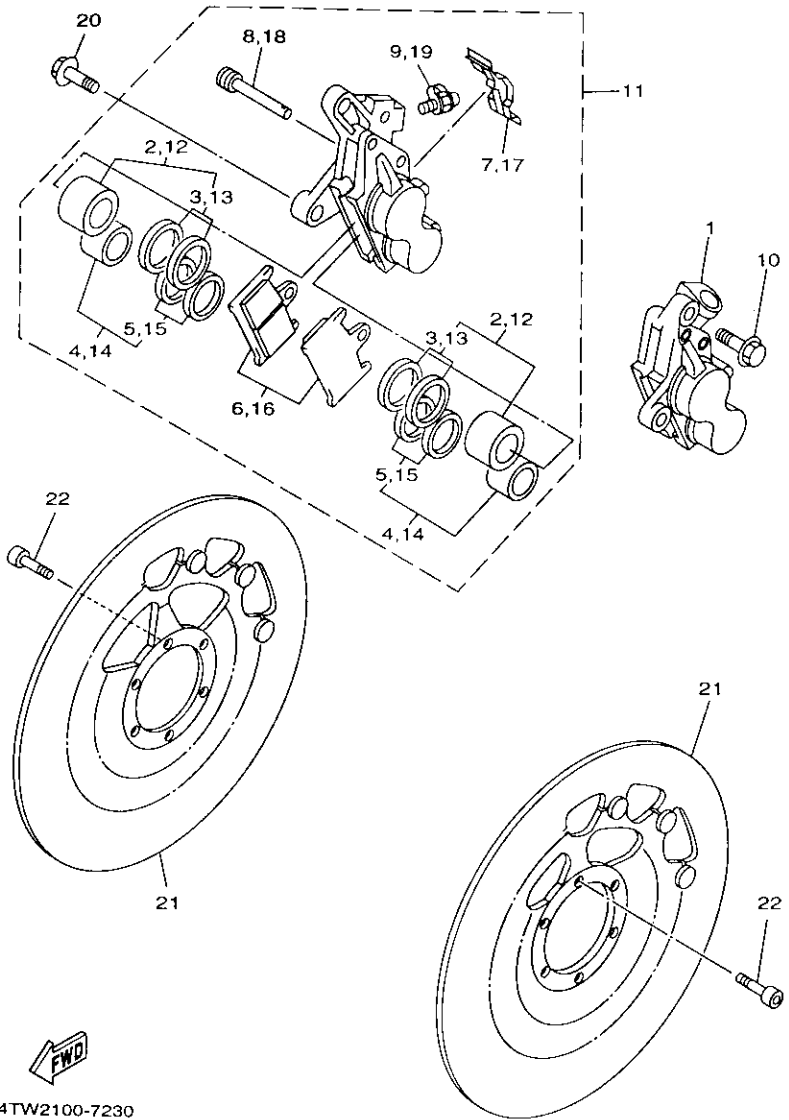


FIG. 23 FRONT BRAKE CALIPER

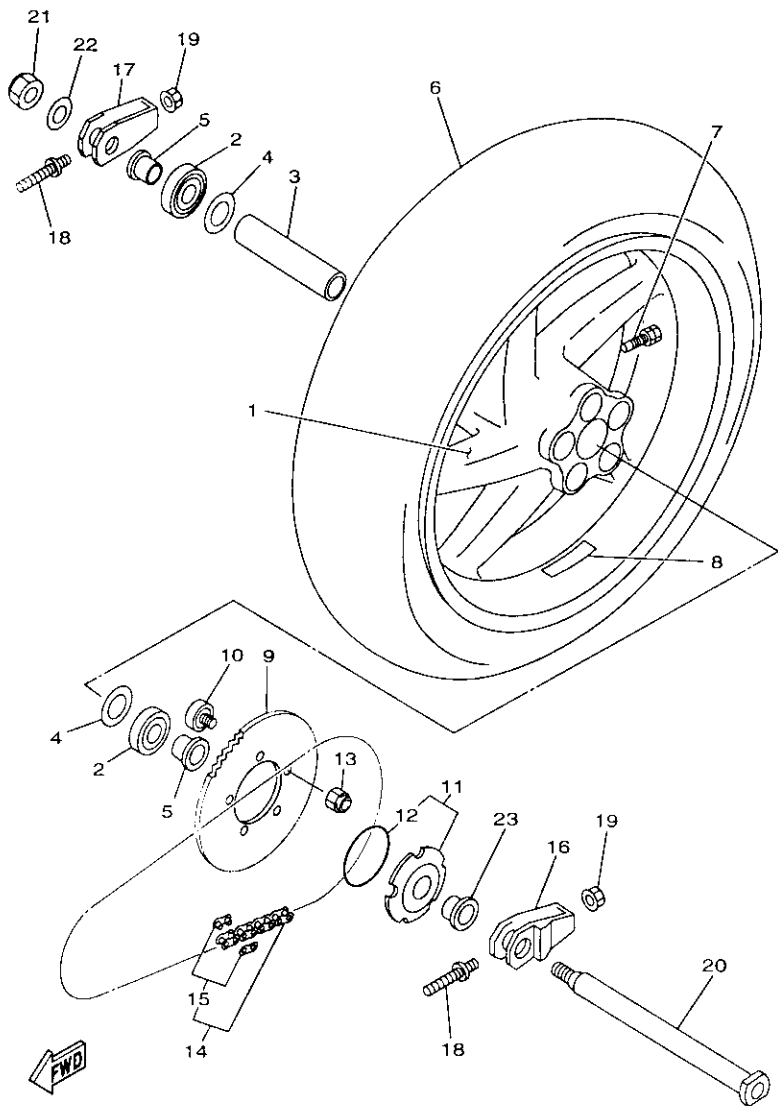
REF. NO.	PART NO.	DESCRIPTION	USA	CAN	EUR	ODE	JPN	REMARKS
1	4TW-2580T-00	CALIPER ASSY (LEFT)	1	1	1	1	1	
2	4TW-W0057-00	PISTON ASSY, CALIPER	1	1	1	1	1	
3	4TW-W0047-00	.CALIPER SEAL KIT	1	1	1	1	1	
4	4TW-W0057-10	.PISTON ASSY, CALIPER	1	1	1	1	1	
5	4TW-W0047-10	.CALIPER SEAL KIT	1	1	1	1	1	
6	4TW-W0045-00	.BRAKE PAD KIT	1	1	1	1	1	
7	3FV-25919-00	.SUPPORT, PAD	1	1	1	1	1	
8	3FV-25924-00	.PIN, PAD	2	2	2	2	2	
9	1UY-W0048-50	.BLEED SCREW KIT	1	1	1	1	1	
10	90105-10725	BOLT, WASHER BASED	2	2	2	2	2	
11	4TW-2580U-00	CALIPER ASSY (RIGHT)	1	1	1	1	1	
12	4TW-W0057-00	.PISTON ASSY, CALIPER	1	1	1	1	1	
13	4TW-W0047-00	.CALIPER SEAL KIT	1	1	1	1	1	
14	4TW-W0057-10	.PISTON ASSY, CALIPER	1	1	1	1	1	
15	4TW-W0047-10	.CALIPER SEAL KIT	1	1	1	1	1	
16	4TW-W0045-00	.BRAKE PAD KIT	1	1	1	1	1	
17	3FV-25919-00	.SUPPORT, PAD	1	1	1	1	1	
18	3FV-25924-00	.PIN, PAD	2	2	2	2	2	
19	1UY-W0048-50	.BLEED SCREW KIT	1	1	1	1	1	
20	90105-10725	BOLT, WASHER BASED	2	2	2	2	2	
21	4JT-2581T-00	DISC BRAKE ASSY	1	1	1	1	1	
22	90110-08193	BOLT, HEXAGON SOCKET HEAD	12	12	12	12	12	



4TW2100-7230

D4

FIG. 24 REAR WHEEL

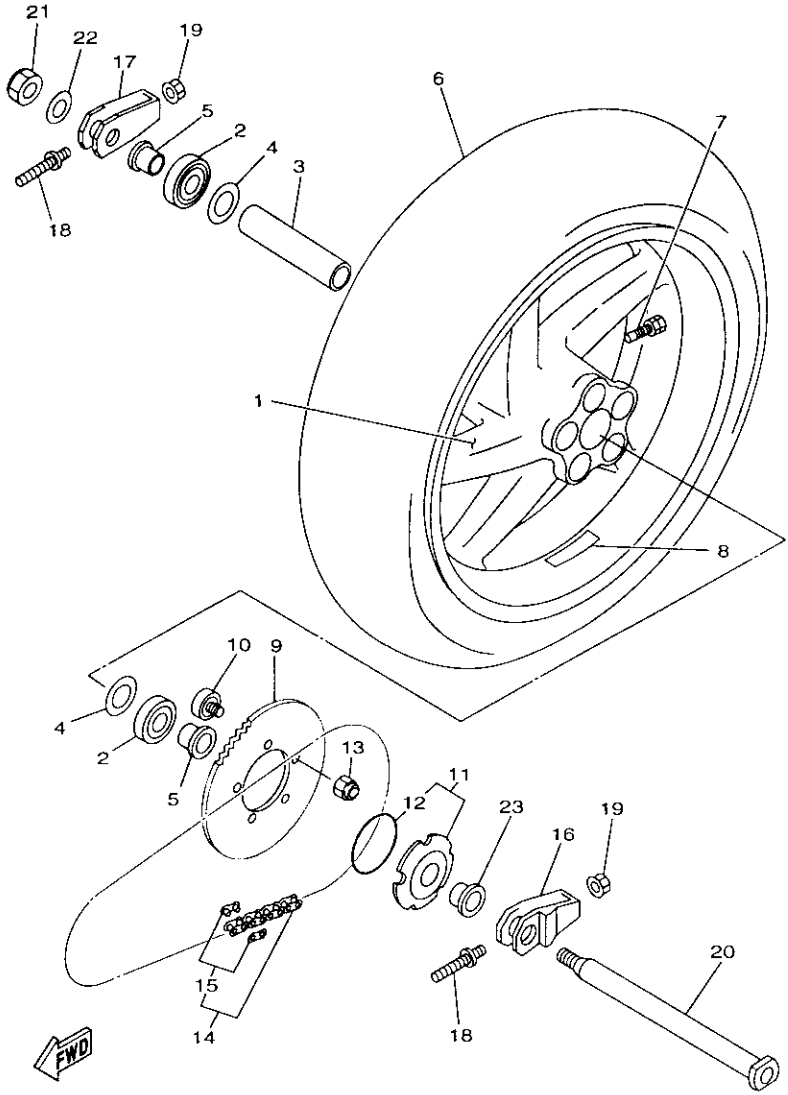


REF. NO.	PART NO.	DESCRIPTION	USA	CAN	EUR	OC	JPN	REMARKS
1	4TW-25338-00	CAST WHEEL, REAR	1	1	1	1	1	
2	93306-00507	BEARING (B6005)	2	2	2	2	2	
3	4TW-25317-00	SPACER, BEARING	1	1	1	1	1	
4	4DP-2518A-00	PLATE, FITTING	2	2	2	2	2	
5	4TW-25383-00	COLLAR, WHEEL	2	2	2	2	2	
6	94116-1709D	TIRE (160/55 R17 KR108)	1	1	1	1	1	DUNLOP
7	93900-00031	VALVE, RIM	1	1	1	1	1	
8	4TW-25398-00	BALANCER, WHEEL	1	1	1	1	1	UN
9	4TW-25435-00	SPROCKET, DRIVEN (35T)	1	1	1	1	1	STD
	4TW-25436-00	SPROCKET, DRIVEN (36T)	1	1	1	1	1	UR
	4TW-25437-00	SPROCKET, DRIVEN (37T)	1	1	1	1	1	UR
	4TW-25438-00	SPROCKET, DRIVEN (38T)	1	1	1	1	1	UR
	4TW-25439-00	SPROCKET, DRIVEN (39T)	1	1	1	1	1	UR
	4TW-25440-00	SPROCKET, DRIVEN (40T)	1	1	1	1	1	UR
10	3YL-25364-00	DAMPER	5	5	5	5	5	
11	4DP-25360-00	CLUTCH ASSY	1	1	1	1	1	
12	93210-69434	O-RING	1	1	1	1	1	
13	90185-08089	NUT, SELF-LOCKING	5	5	5	5	5	
14	94561-42110	CHAIN	1	1	1	1	1	
15	94661-42031	JOINT, CHAIN	1	1	1	1	1	
16	4TW-25388-00	PULLER, CHAIN 1	1	1	1	1	1	
17	4TW-25389-00	PULLER, CHAIN 2	1	1	1	1	1	
18	4DP-25379-00	BOLT, CHAIN PULLAR	2	2	2	2	2	
19	90185-08097	NUT, SELF-LOCKING	2	2	2	2	2	
20	4TW-25381-00	AXLE, WHEEL	1	1	1	1	1	
21	90185-18104	NUT, SELF-LOCKING	1	1	1	1	1	
22	90201-183E1	WASHER, PLATE	1	1	1	1	1	

4TW1100-6240

D5

FIG. 24 REAR WHEEL

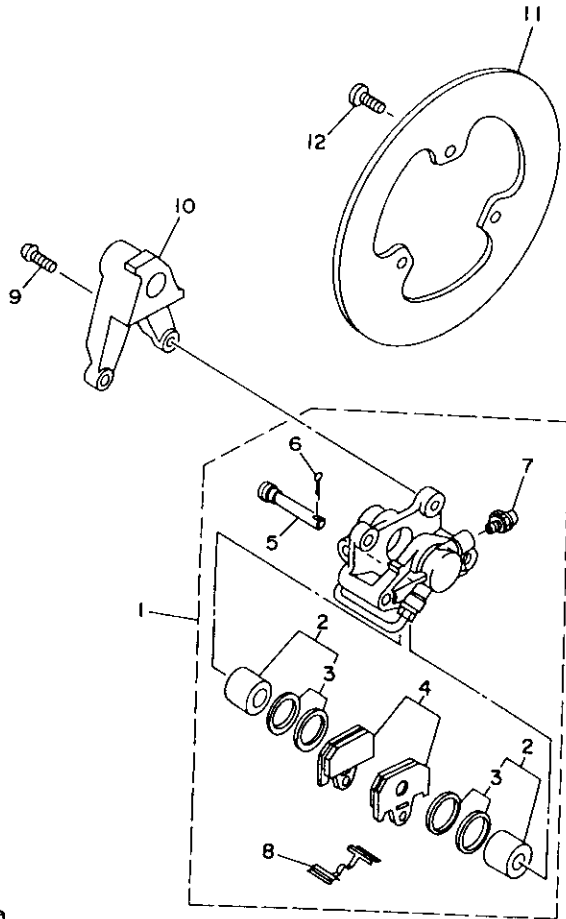


4TW1100-6240

D6

REF. NO.	PART NO.	DESCRIPTION	USA	CAN	EUR	OCE	JPN	REMARKS
23	4TW-25376-00	COLLAR, WHEEL	1	1	1	1	1	

FIG. 25 REAR BRAKE CALIPER



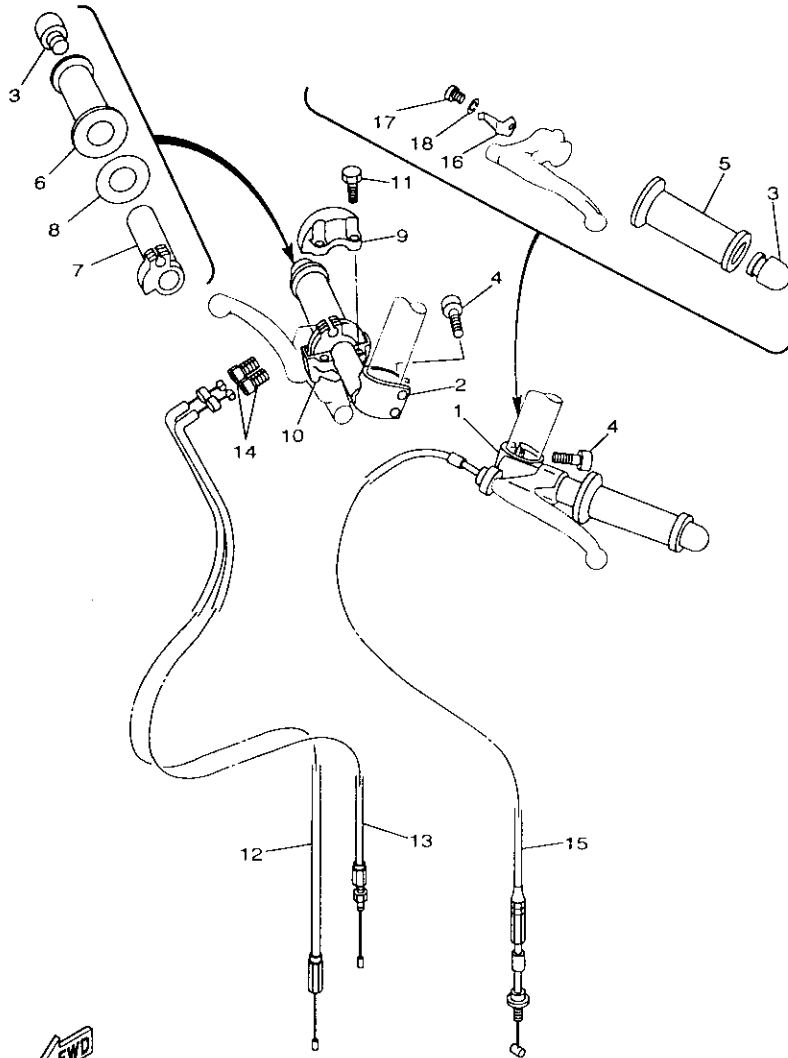
REF. NO.	PART NO.	DESCRIPTION	USA	CAN	EUR	OCF	JPN	REMARKS
1	4JT-2580W-00	CALIPER ASSY, REAR 2	1	1	1	1	1	
2	4DP-W0057-00	.PISTON ASSY, CALIPER	1	1	1	1	1	
3	3LC-W0047-50	.CALIPER SEAL KIT	1	1	1	1	1	
4	4JT-W0046-00	.BRAKE PAD KIT 2	1	1	1	1	1	
5	4JT-25924-00	.PIN, PAD	1	1	1	1	1	
6	91401-16012	.PIN, COTTER	1	1	1	1	1	
7	1UY-W0048-50	.BLEED SCREW KIT	1	1	1	1	1	
8	3LC-25919-50	.SUPPORT, PAD	1	1	1	1	1	
9	92017-08020	BOLT, BUTTON HEAD	2	2	2	2	2	
10	4TW-25819-00	BRACKET, CALIPER	1	1	1	1	1	
11	4DP-2582W-00	DISC, REAR BRAKE 2	1	1	1	1	1	
12	90149-08152	SCREW	3	3	3	3	3	



4JT2100-5250

D7

FIG. 26 STEERING HANDLE. CABLE

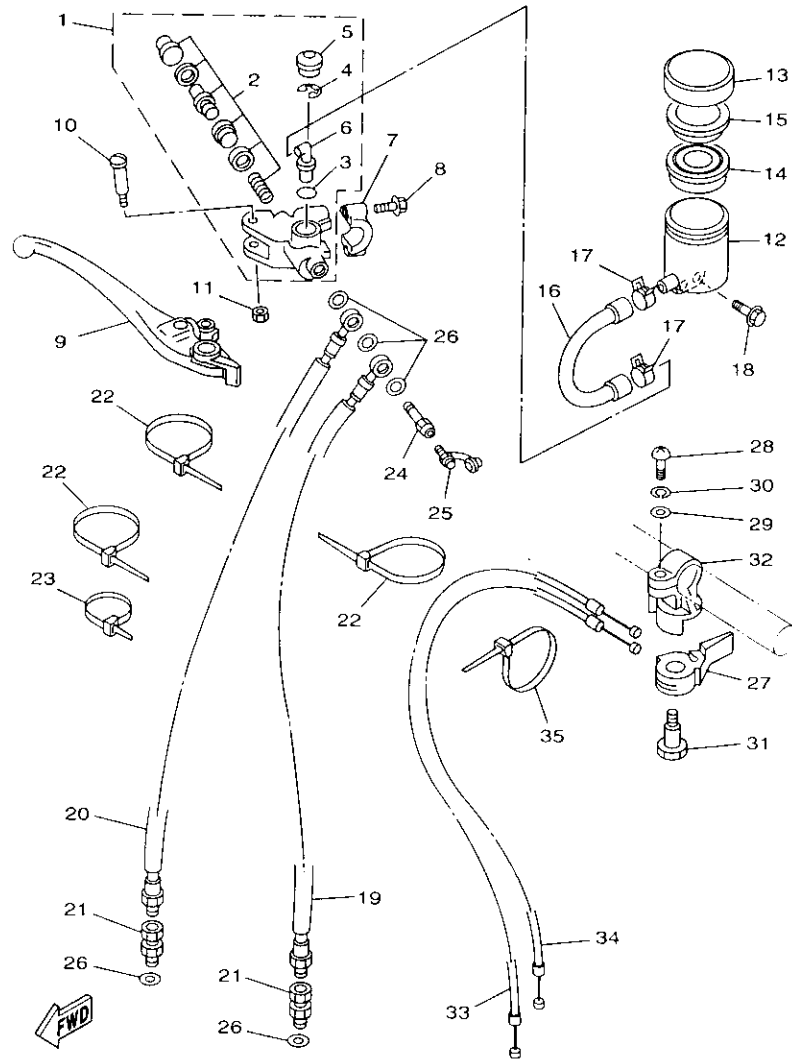


REF. NO.	PART NO.	DESCRIPTION	USA	CAN	EUR	OC	JPN	REMARKS
1	3YL-26121-00	HANDLEBAR (LEFT)	1	1	1	1	1	
2	3YL-26122-01	HANDLEBAR (RIGHT)	1	1	1	1	1	
3	4JT-26246-00	END, GRIP	2	2	2	2	2	
4	91317-06025	BOLT	4	4	4	4	4	
5	47X-26241-00	GRIP (LEFT)	1	1	1	1	1	
6	47X-26242-00	GRIP (RIGHT)	1	1	1	1	1	
7	3YL-26243-00	TUBE, THROTTLE GUIDE	1	1	1	1	1	
8	3Y1-26249-00	RING, LEAF	1	1	1	1	1	
9	3YL-26281-00	CAP, GRIP UPPER	1	1	1	1	1	
10	3YL-26282-00	CAP, GRIP LOWER	1	1	1	1	1	
11	91317-05020	BOLT	2	2	2	2	2	
12	4TW-26311-00	CABLE, THROTTLE 1	1	1	1	1	1	
13	4TW-26312-00	CABLE, THROTTLE 2	1	1	1	1	1	
14	90123-06007	BOLT	2	2	2	2	2	
15	4TW-26335-00	CABLE, CLUTCH	1	1	1	1	1	
16	5F6-26368-00	SPRING, LOCK	1	1	1	1	1	
17	98507-05008	SCREW, PAN HEAD	1	1	1	1	1	
18	92907-05100	WASHER, SPRING	1	1	1	1	1	


4TW1100-6260

D8

FIG. 27 FRONT MASTER CYLINDER

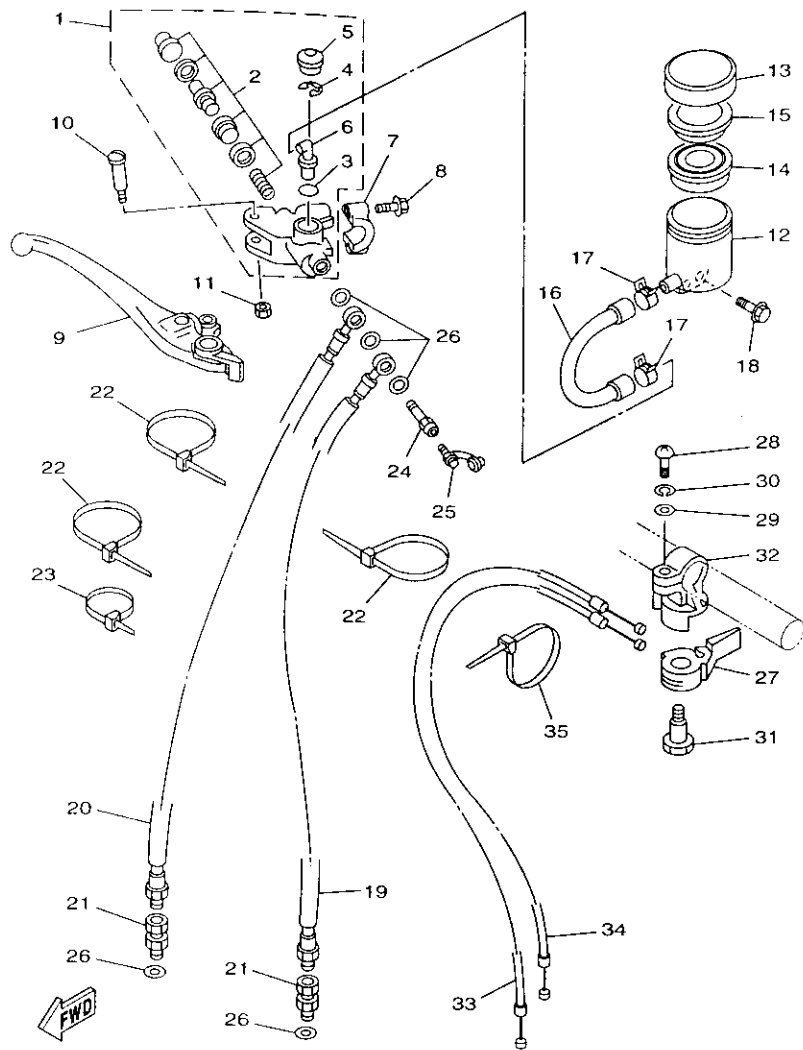


REF. NO.	PART NO.	DESCRIPTION						REMARKS
			USA	CAN	EUR	OCE	JPN	
1	3FV-W2587-00	MASTER CYLINDER SUB ASSY	1	1	1	1	1	
2	4K0-W0041-50	CYLINDER KIT, MASTER	1	1	1	1	1	
3	93210-15620	O-RING	1	1	1	1	1	
4	2VN-25866-00	CIRCLIP	1	1	1	1	1	
5	3FV-2589A-00	COVER, DUST	1	1	1	1	1	
6	2VN-2582A-50	JOINT	1	1	1	1	1	
7	56A-25867-00	BRACKET, MASTER CYLINDER	1	1	1	1	1	
8	95026-06025	BOLT, FLANGE	2	2	2	2	2	
9	4JT-83922-00	LEVER 2	1	1	1	1	1	
10	3FV-2589F-00	BOLT, LEVER	1	1	1	1	1	
11	95606-06100	NUT, U	1	1	1	1	1	
12	3FV-25894-00	TANK, RESERVOIR	1	1	1	1	1	
13	3FV-25852-00	CAP, RESERVOIR	1	1	1	1	1	
14	3FV-25854-00	DIAPHRAGM, RESERVOIR	1	1	1	1	1	
15	2J2-25855-50	BUSH, DIAPHRAGM	1	1	1	1	1	
16	3YL-2582F-00	HOSE	1	1	1	1	1	
17	3PA-24356-00	CLIP, PIPE 1	2	2	2	2	2	
18	95027-06014	BOLT, FLANGE	1	1	1	1	1	
19	4DP-25872-00	HOSE, BRAKE 1	1	1	1	1	1	
20	4DP-25873-00	HOSE, BRAKE 2	1	1	1	1	1	
21	3LC-25885-00	JOINT	2	2	2	2	2	
22	90465-13275	CLAMP	3	3	3	3	3	
23	90465-13152	CLAMP	2	2	2	2	2	
24	90401-10142	BOLT, UNION	1	1	1	1	1	
25	36Y-W0048-00	BLEED SCREW KIT	1	1	1	1	1	
26	90201-10118	WASHER, PLATE	5	5	5	5	5	
27	240-83941-00	LEVER, STARTER	1	1	1	1	1	

4TW2100-7270

D9

FIG. 27 FRONT MASTER CYLINDER

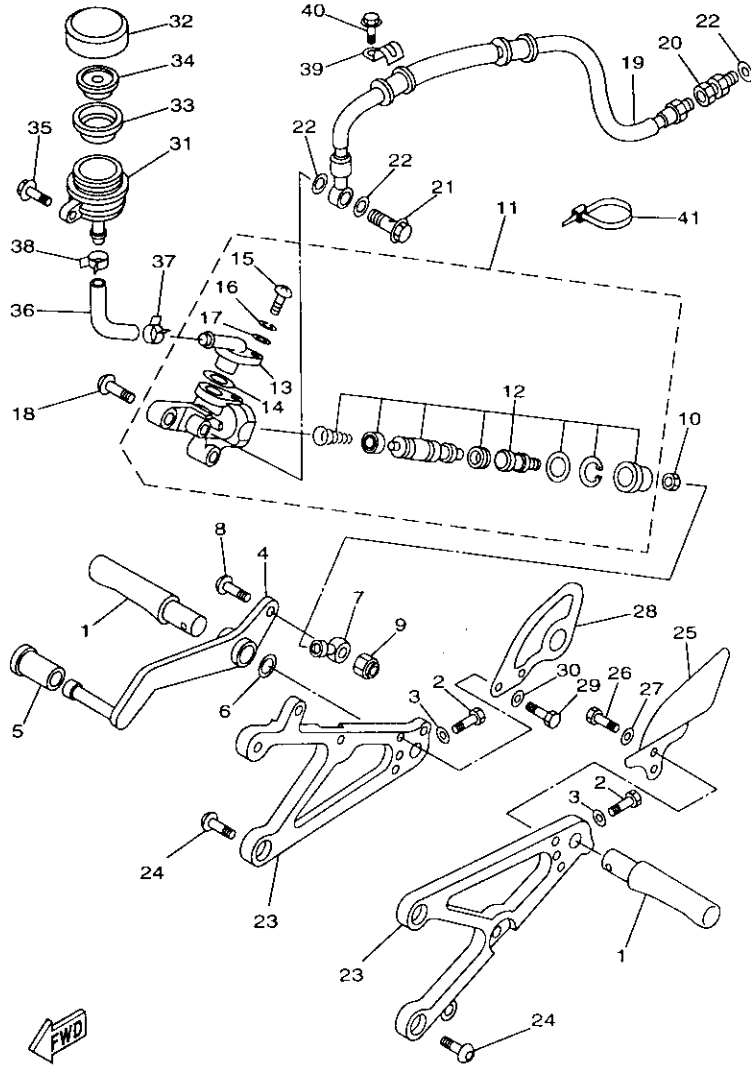


4TW2100-7270

REF. NO.	PART NO.	DESCRIPTION	USA	CAN	EUR	OCE	JPN	REMARKS
28	98507-06018	SCREW, PAN HEAD	1	1	1	1	1	
29	90201-12175	WASHER, PLATE	1	1	1	1	1	
30	92907-06100	WASHER, SPRING	1	1	1	1	1	
31	90109-08398	BOLT	1	1	1	1	1	
32	240-83946-00	HOLDER, STARTER LEVER	1	1	1	1	1	
33	4DP-26331-00	CABLE, STARTER 1	1	1	1	1	1	
34	4DP-26334-00	CABLE, STARTER 2	1	1	1	1	1	
35	90465-13275	CLAMP	1	1	1	1	1	

D10

FIG. 28 STAND. FOOTREST

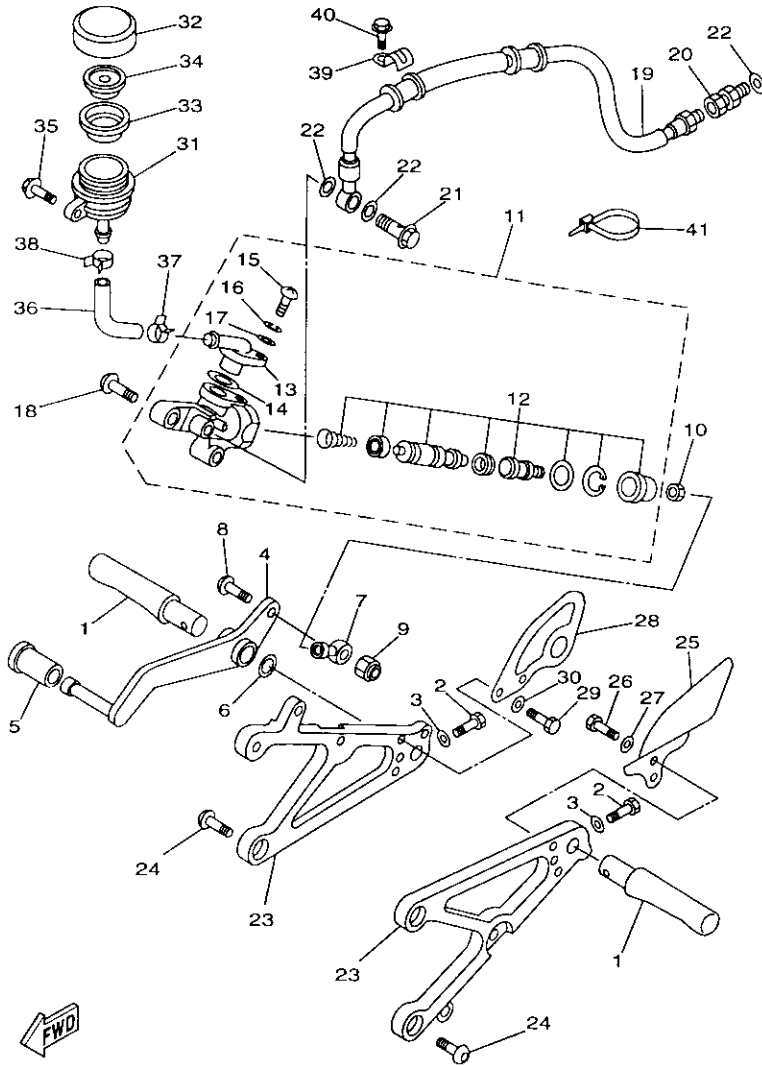


4TW1100-6280

REF. NO.	PART NO.	DESCRIPTION	USA	CAN	EUR	OCE	JPN	REMARKS
1	4JT-27411-11	FOOTREST 1	2	2	2	2	2	
2	97007-06020	BOLT	2	2	2	2	2	
3	92907-06600	WASHER, PLATE	2	2	2	2	2	
4	4JT-27211-00	PEDAL, BRAKE	1	1	1	1	1	
5	4A0-18113-00	COVER, SHIFT PEDAL	1	1	1	1	1	
6	90201-14212	WASHER, PLATE	1	1	1	1	1	
7	3YL-27222-00	JOINT	1	1	1	1	1	
8	92017-06020	BOLT, BUTTON HEAD	1	1	1	1	1	
9	95607-06100	NUT, U	1	1	1	1	1	
10	95307-06600	NUT	1	1	1	1	1	
11	3YL-2583V-00	RR. MASTER CYLINDER ASSY.	1	1	1	1	1	
12	3YL-W0042-50	.CYLINDER KIT, MASTER	1	1	1	1	1	
13	36Y-2582A-50	JOINT	1	1	1	1	1	
14	93210-15620	.O-RING	1	1	1	1	1	
15	98511-04012	.SCREW, PAN HEAD	1	1	1	1	1	
16	92902-04100	.WASHER, SPRING	1	1	1	1	1	
17	92901-04600	.WASHER, PLATE	1	1	1	1	1	
18	92017-08025	BOLT, BUTTON HEAD	2	2	2	2	2	
19	4TW-25874-00	HOSE, BRAKE	1	1	1	1	1	
20	3LC-25885-00	JOINT	1	1	1	1	1	
21	90401-10159	BOLT, UNION	1	1	1	1	1	
22	90201-10118	WASHER, PLATE	3	3	3	3	3	
23	4JT-27412-20	BRACKET, FOOTREST 1	2	2	2	2	2	
24	92017-08020	BOLT, BUTTON HEAD	4	4	4	4	4	
25	4TW-27445-00	PLATE 1	1	1	1	1	1	
26	97017-05016	BOLT	2	2	2	2	2	
27	92907-05600	WASHER, PLATE	2	2	2	2	2	

D11

FIG. 28 STAND. FOOTREST

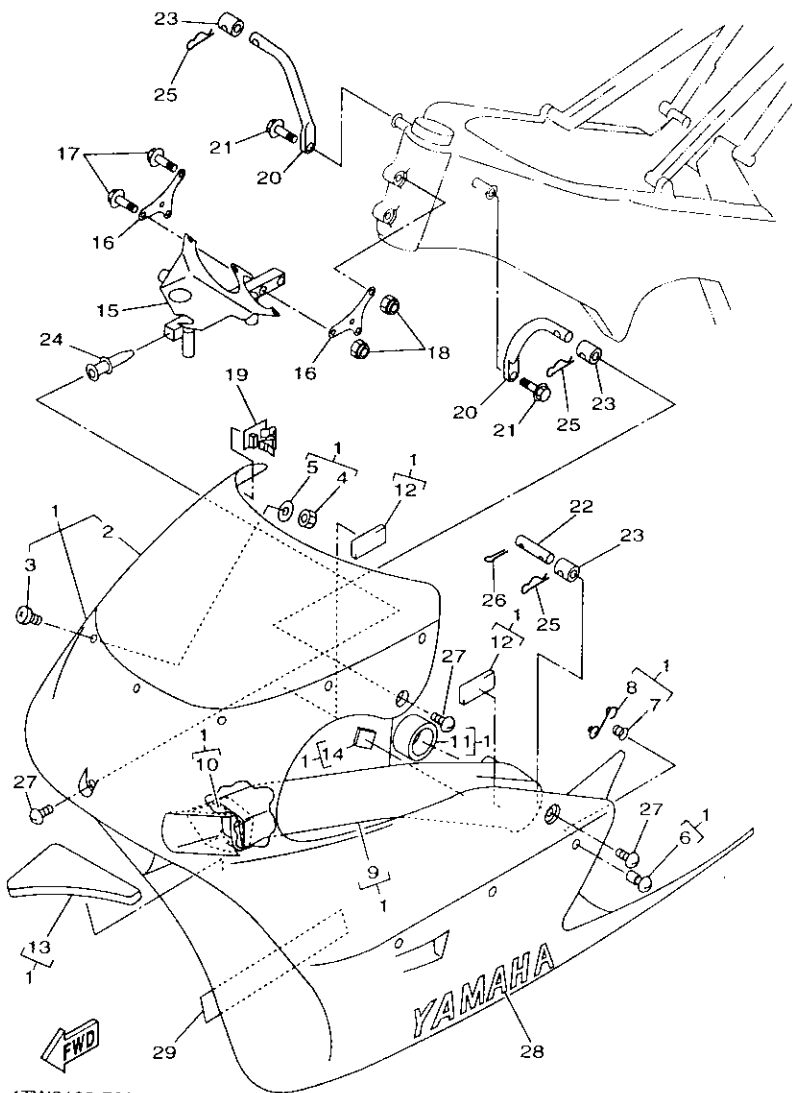


4TW1100-6280

REF. NO.	PART NO.	DESCRIPTION	USA	CAN	EUR	OCE	JPN	REMARKS
28	4TW-27264-00	BRACKET 2	1	1	1	1	1	
29	97017-05016	BOLT	2	2	2	2	2	
30	92907-05600	WASHER, PLATE	2	2	2	2	2	
31	2VN-25894-00	TANK, RESERVOIR	1	1	1	1	1	
32	3XP-25852-50	CAP, RESERVOIR	1	1	1	1	1	
33	2VN-25854-00	DIAPHRAGM, RESERVOIR	1	1	1	1	1	
34	2VN-25855-00	BUSH,DIAPHRAGM	1	1	1	1	1	
35	90109-06757	BOLT	1	1	1	1	1	
36	3YL-25895-00	HOSE, RESERVOIR	1	1	1	1	1	
37	90467-14057	CLIP	1	1	1	1	1	
38	90467-11044	CLIP	1	1	1	1	1	
39	3XV-25876-00	HOLDER, BRAKE HOSE 2	2	2	2	2	2	
40	95027-06016	BOLT, FLANGE,	2	2	2	2	2	
41	90464-12089	CLAMP	2	2	2	2	2	

D12

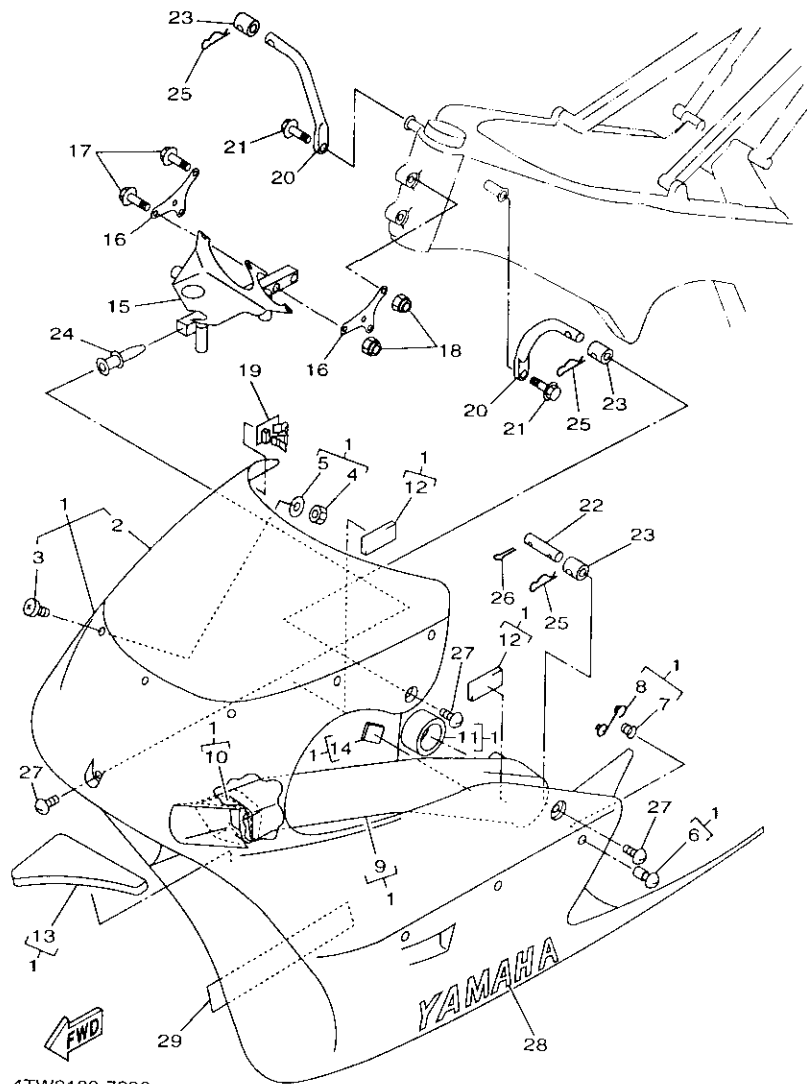
FIG. 29 COWLING 1



4TW2100-7290

REF. NO.	PART NO.	DESCRIPTION	USA	CAN	EUR	OCE	JPN	REMARKS
1	4TW-28350-00	COWLING ASSY	1	1	1	1	1	
2	4TW-28381-00	WINDSHIELD	1	1	1	1	1	
3	98907-04010	SCREW, BIND	7	7	7	7	7	
4	95607-04100	NUT, U	7	7	7	7	7	
5	92907-04200	WASHER	7	7	7	7	7	
6	3YL-28386-00	HEAD	6	6	6	6	6	
7	240-28389-00	RIVET	6	6	6	6	6	
8	3YL-28388-00	SPRING	6	6	6	6	6	
9	4TW-2838N-00	DUCT 1	1	1	1	1	1	
10	4TW-28371-00	DAMPER	1	1	1	1	1	
11	4TW-28372-00	DAMPER	1	1	1	1	1	
12	4U5-24182-00	DAMPER, LOCATING 2	2	2	2	2	2	
13	4TW-2838M-00	SEAL, BOX 1	1	1	1	1	1	
14	4TW-28379-00	HOOK	1	1	1	1	1	
15	4JT-28356-00	STAY 1	1	1	1	1	1	
16	4DP-2836A-00	BRACKET 1	2	2	2	2	2	
17	95027-06030	BOLT, FLANGE	4	4	4	4	4	
18	95617-06100	NUT, U	4	4	4	4	4	
19	90464-25160	CLAMP	2	2	2	2	2	
20	4JT-28321-00	STAY 1	2	2	2	2	2	
21	95027-06014	BOLT, FLANGE	2	2	2	2	2	
22	3YL-28358-00	STAY 3	2	2	2	2	2	
23	4A0-28364-00	NUT	4	4	4	4	4	
24	4JT-28362-00	NUT	1	1	1	1	1	
25	4DP-28334-00	CLIP, COWLING	4	4	4	4	4	
26	91401-25030	PIN, COTTER	2	2	2	2	2	
27	90150-06021	SCREW, ROUND HEAD	5	5	5	5	5	

D13



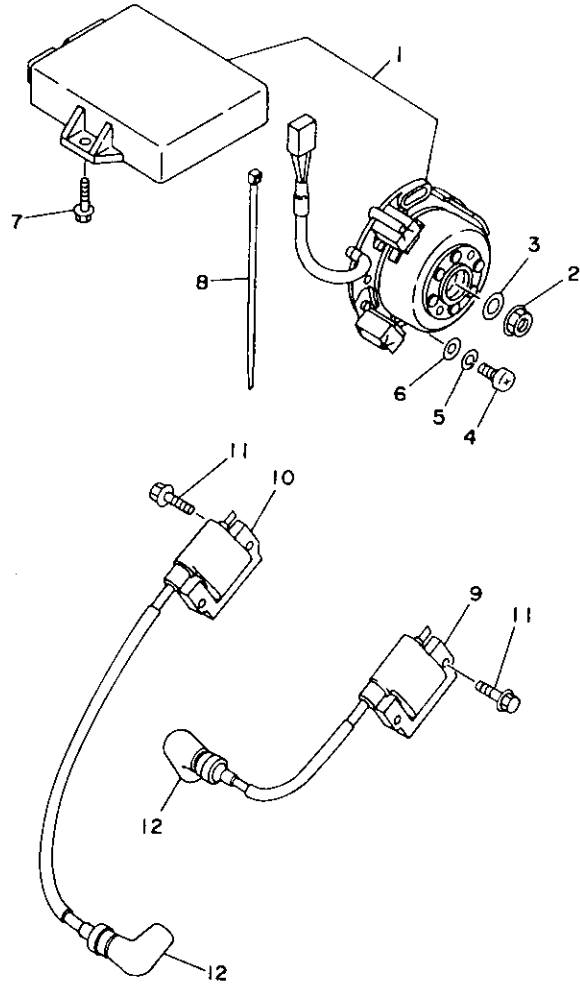
4TW2100-7290

FIG. 29 COWLING 1

REF. NO.	PART NO.	DESCRIPTION	USA	CAN	EUR	LOGE	JPN	REMARKS
28	99237-00280	EMBLEM, YAMAHA	2	2	2	2	2	
29	99237-00100	EMBLEM, YAMAHA	1	1	1	1	1	

D14

FIG. 30 GENERATOR

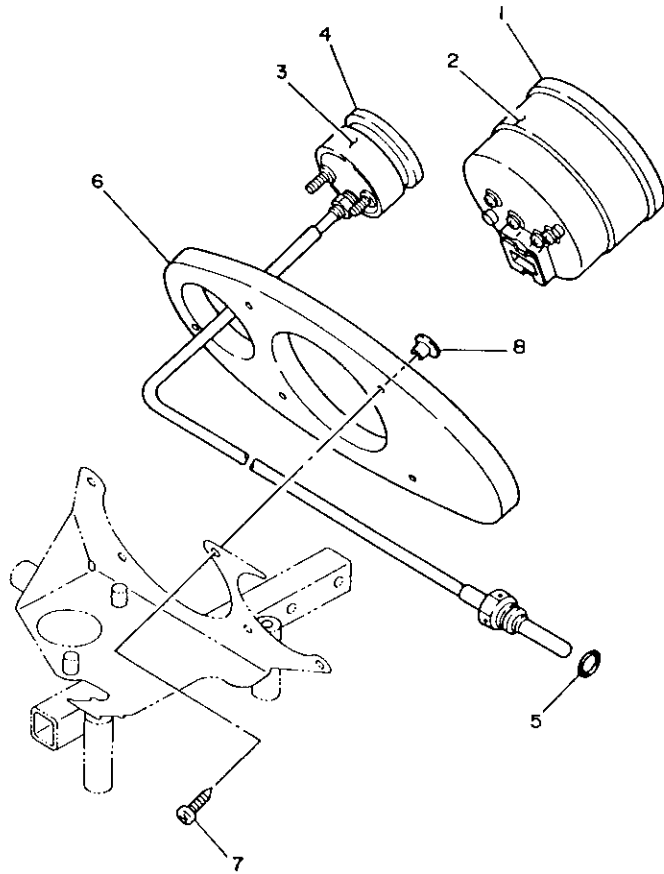


REF. NO.	PART NO.	DESCRIPTION	USA	CAN	EUR	OCE	JPN	REMARKS
1	4DP-85501-40	C.D.I. MAGNETO SET	1	1	1	1	1	
2	90179-12335	NUT	1	1	1	1	1	
3	90201-127E1	WASHER, PLATE	1	1	1	1	1	
4	98507-06020	SCREW, PAN HEAD	2	2	2	2	2	
5	92907-06100	WASHER, SPRING	2	2	2	2	2	
6	92907-06600	WASHER, PLATE	2	2	2	2	2	
7	95027-06020	BOLT, FLANGE	2	2	2	2	2	
8	90465-13275	CLAMP	2	2	2	2	2	
9	3YL-82310-00	IGNITION COIL ASSY	1	1	1	1	1	
10	3YL-82320-01	IGNITION COIL ASSY	1	1	1	1	1	
11	95027-06020	BOLT, FLANGE	4	4	4	4	4	
12	4PE-82370-00	PLUG CAP ASSY	2	2	2	2	2	

FWD
4DP1100-2300

D15

FIG. 31 METER



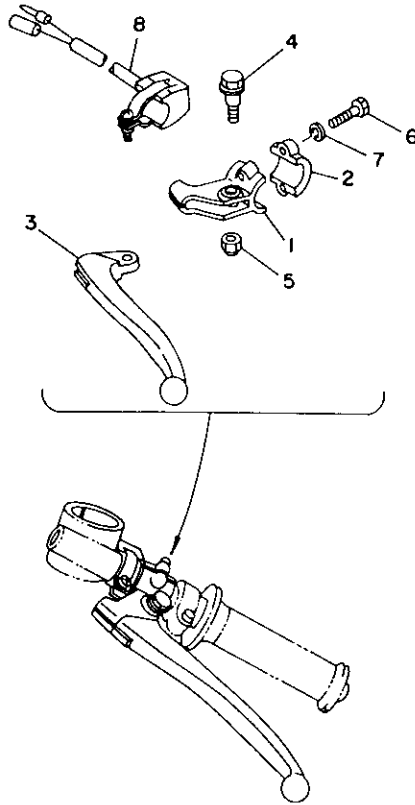
REF. NO.	PART NO.	DESCRIPTION	USA	CAN	EUR	OCE	JPN	REMARKS
1	3YL-83540-00	TACHOMETER ASSY	1	1	1	1	1	
2	4A0-83541-00	DAMPER	1	1	1	1	1	
3	4A0-83592-00	DAMPER	1	1	1	1	1	
4	4JT-83590-01	WATER TEMPERATURE ASSY	1	1	1	1	1	
5	93210-10118	O-RING	1	1	1	1	1	
6	3LC-83611-00	PANEL, METER	1	1	1	1	1	
7	97780-40110	SCREW, TAPPING	5	5	5	5	5	
8	4A0-83522-00	COLLAR	5	5	5	5	5	



4DP4100-5310

E2

FIG. 32 HANDLE SWITCH. LEVER



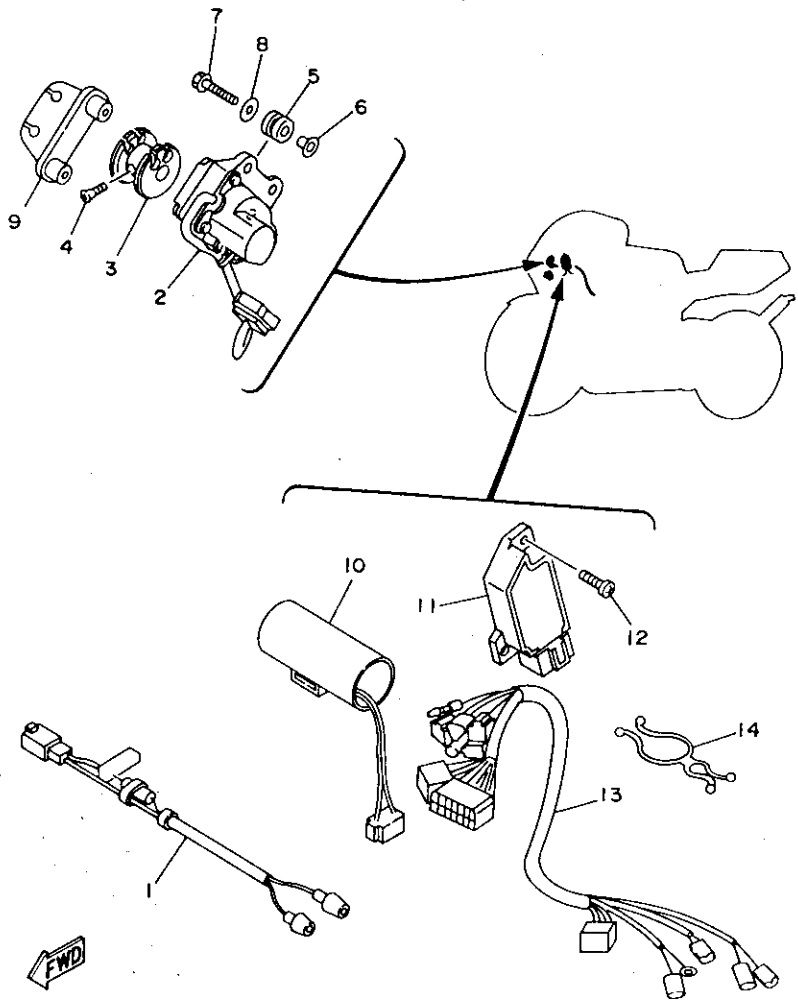
REF. NO.	PART NO.	DESCRIPTION	USA	CAN	EUR	OCE	JPN	REMARKS
1	5F6-82911-00	HOLDER, LEVER 1	1	1	1	1	1	
2	4V4-82913-00	HOLDER, LEVER LOWER 1	1	1	1	1	1	
3	214-83912-00	LEVER 1	1	1	1	1	1	
4	90109-06799	BOLT	1	1	1	1	1	
5	95607-06100	NUT, U	1	1	1	1	1	
6	97007-05020	BOLT	2	2	2	2	2	
7	92907-05100	WASHER, SPRING	2	2	2	2	2	
8	3LC-83976-00	SWITCH, HANDLE 1	1	1	1	1	1	



4DP1100-2320

E3

FIG. 33 ELECTRICAL 1



4DP4100-5330

REF. NO.	PART NO.	DESCRIPTION	USA	CAN	EUR	OCE	JPN	REMARKS
1	3TC-82117-00	WIRE, LEAD	1	1	1	1	1	
2	3LC-85850-00	GEARED MOTOR COMP.	1	1	1	1	1	
3	3YL-85821-00	PULLEY, DRIVE	1	1	1	1	1	
4	90151-05031	SCREW, COUNTERSUNK	1	1	1	1	1	
5	90480-14023	GROMMET	2	2	2	2	2	
6	90387-063E6	COLLAR	2	2	2	2	2	
7	95027-06025	BOLT, FLANGE	2	2	2	2	2	
8	90201-06380	WASHER, PLATE	2	2	2	2	2	
9	3YL-85824-00	BRACKET, CABLE	1	1	1	1	1	
10	3TC-81965-00	CONDENSER, SMOOTHING	1	1	1	1	1	
11	1JK-81960-A1	RECTIFIER & REGULATOR ASSY	1	1	1	1	1	
12	98507-06020	SCREW, PAN HEAD	2	2	2	2	2	
13	4DP-82590-20	WIRE HARNESS ASSY	1	1	1	1	1	
14	90464-26114	CLAMP	1	1	1	1	1	

E4